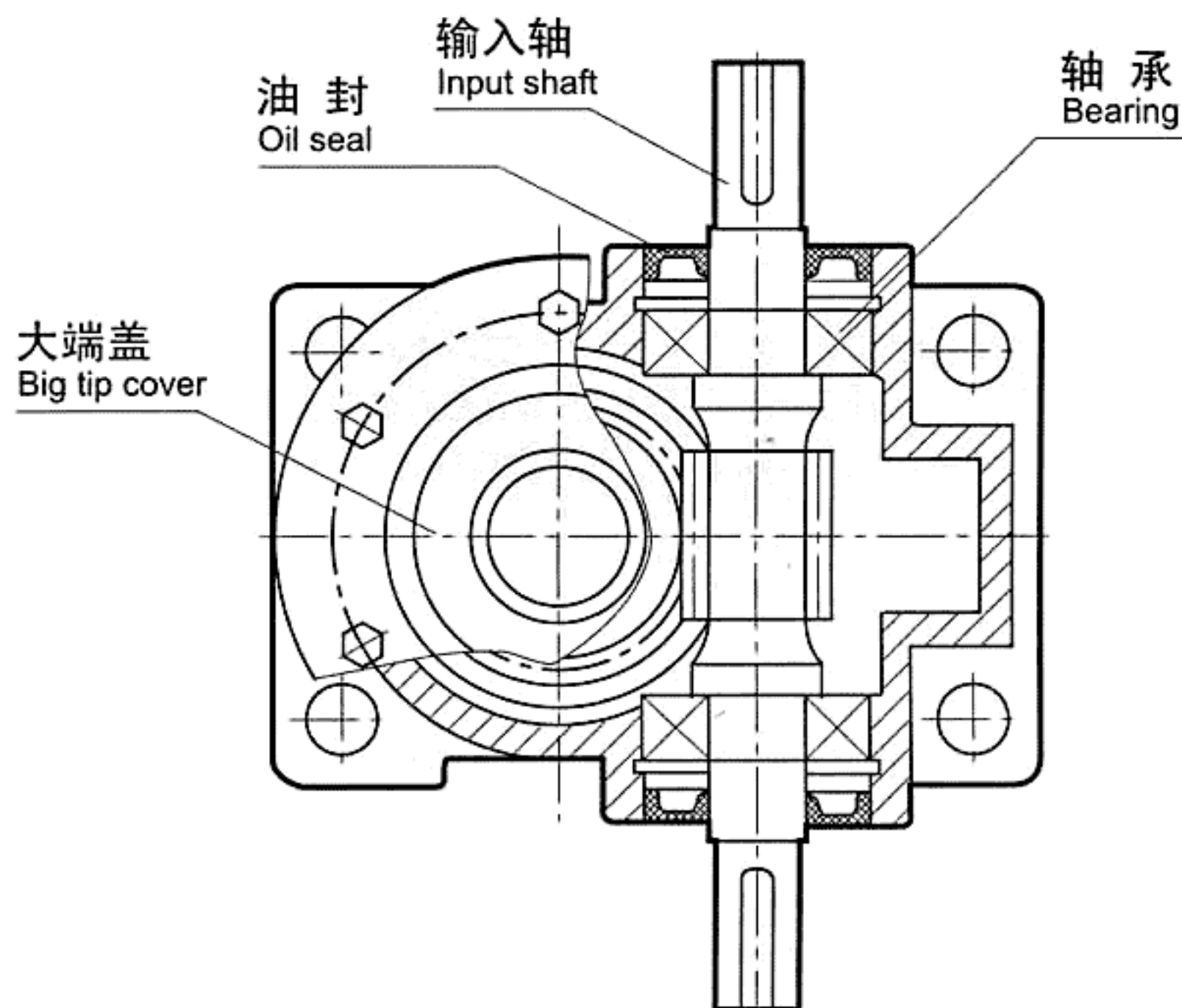
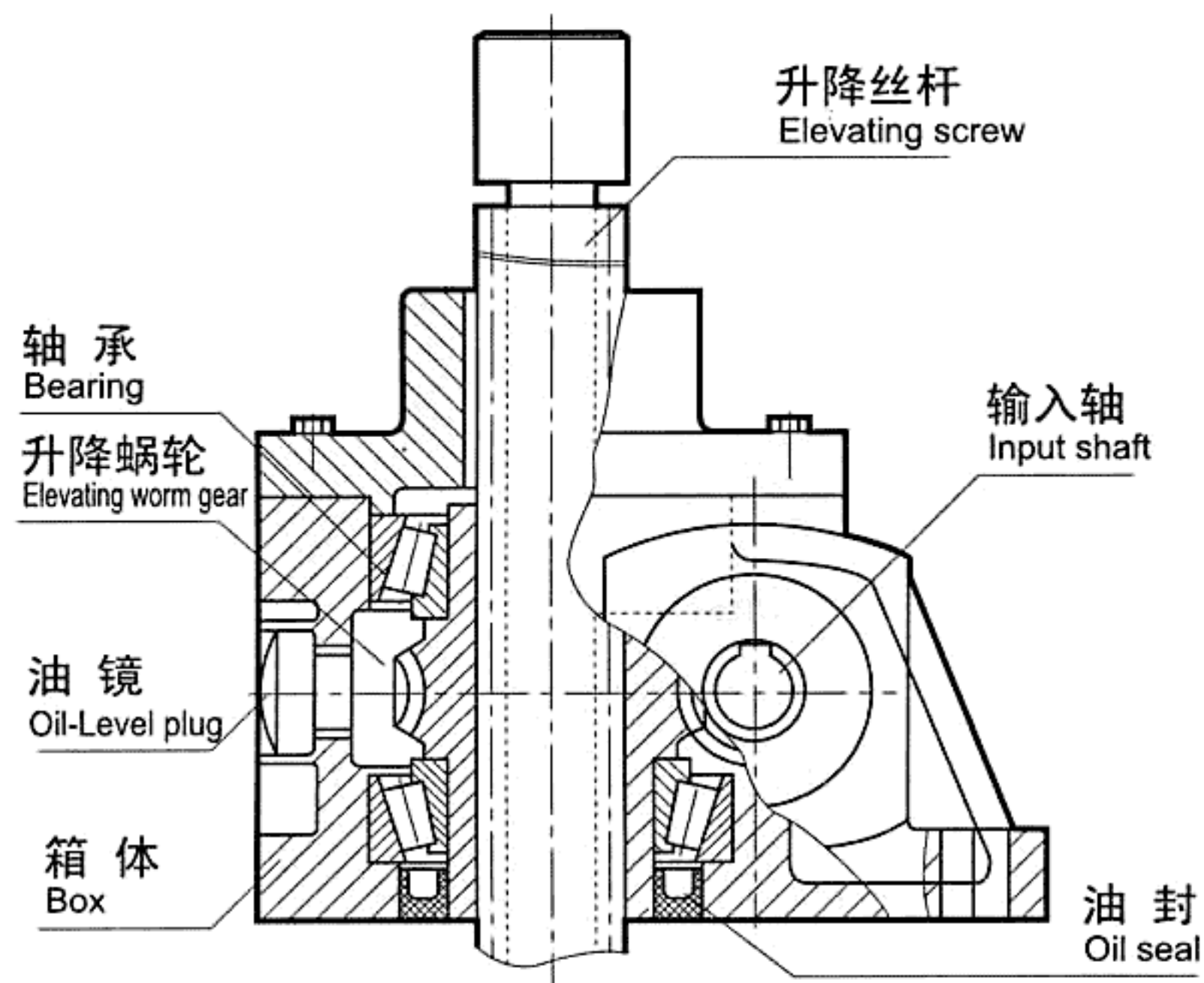


## WSH系列蜗轮蜗杆升降机

### WSH series worm gear elevators

#### 结构示意图 Product structure



#### 允许弯曲负荷值 Allowable bending Load-factor

不同型号及轴端各种负荷方式、丝杆长度、允许弯曲负荷请参考以下表格或计算公式：

Make sure the needed type of worm-gear elevators to screw load mode, screw length, Allowable bending load-factor for the approximated value of load-factor, Please see the right table or Loads analysis:

$$P_{cr} = n^2 E (k/L)^2 \cdot A \cdot f_B$$

n: 轴端支承因数 (参见右表)

n: End-screw load-factor (Please the right table)

E: 纵向弹性模数  $2.1 \times 10^4 \text{ kgf/mm}^2$

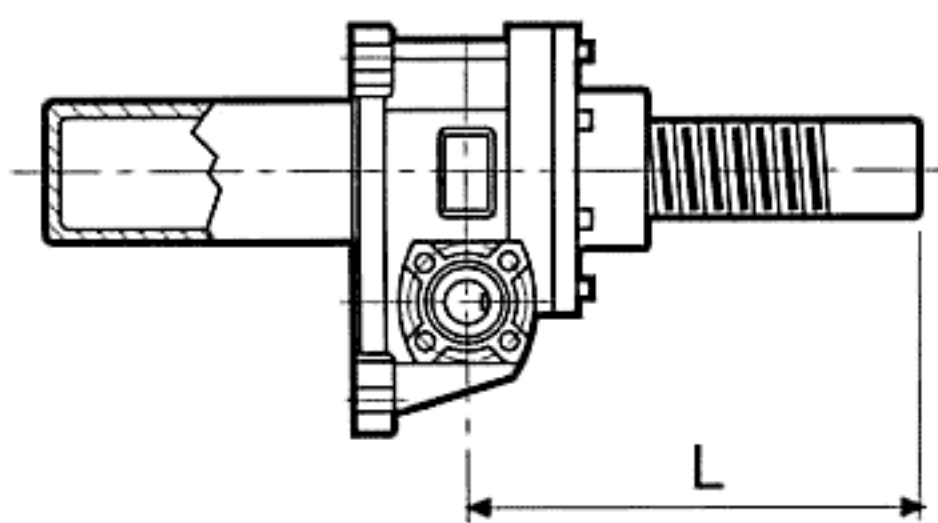
E: Elastic modulus of lengthways  $2.1 \times 10^4 \text{ kgf/mm}^2$

K: 最小辅助半径 Minimum allowable radius

$$K = \frac{d_1}{4}$$

d<sub>1</sub>: 螺纹底直径 Core diameter of thread

L: 轴支承长度 Length of support (mm)



A: 丝杆螺纹底径的横截面积

A: Core diameter of thread

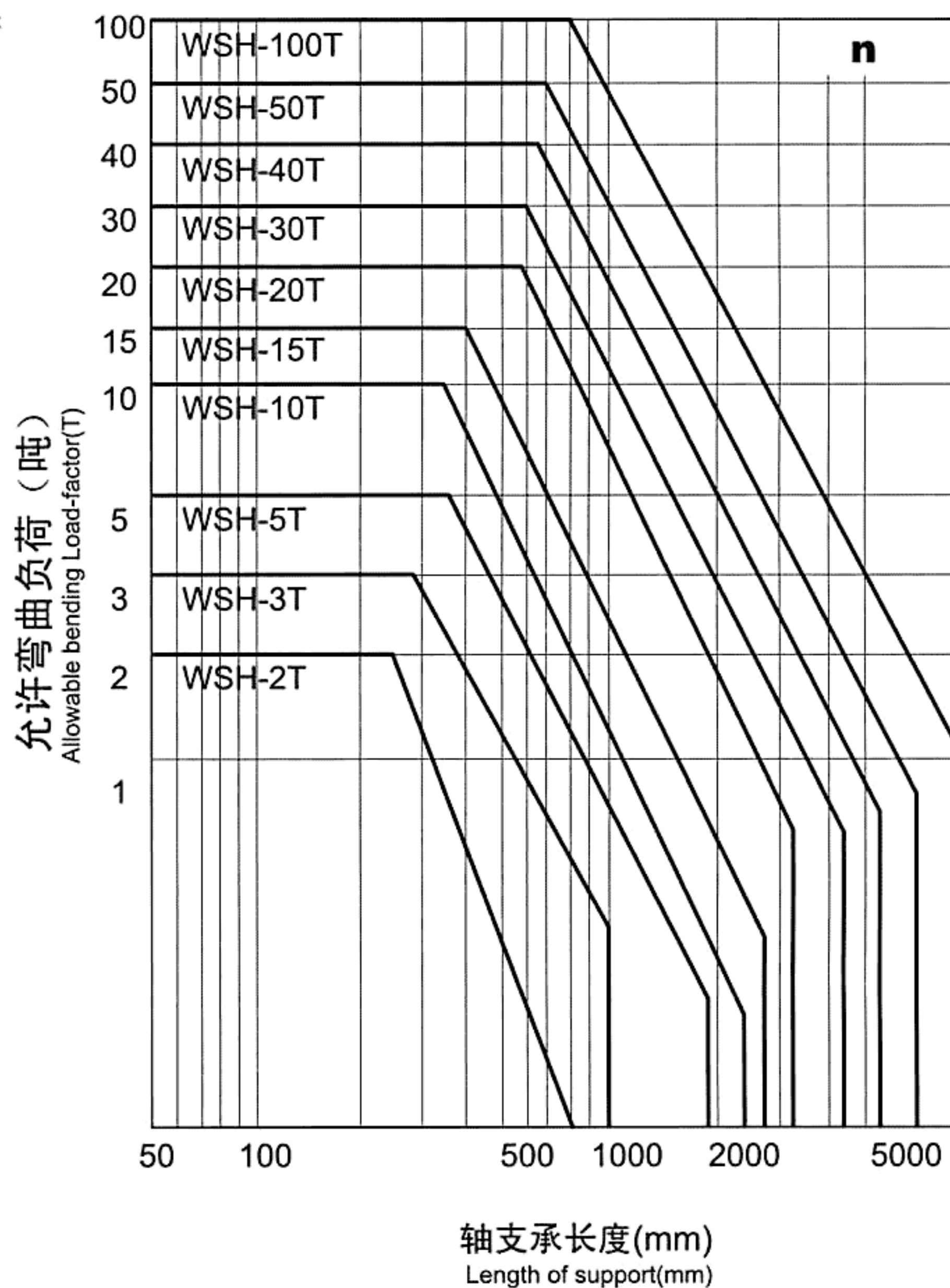
$$A = \frac{\pi (d_1)^2}{4}$$

f<sub>B</sub>: 安全因数 Safety factor f<sub>B</sub> = 0.25

附: 螺纹底直径 (mm)

Attach: Core diameter of thread (mm)

型号 Type	d <sub>1</sub>	型号 Type	d <sub>1</sub>
WSH-2T	19.5	WSH-20T	54
WSH-3T	25	WSH-30T	62
WSH-5T	31	WSH-40T	67
WSH-10T	36	WSH-50T	74
WSH-15T	41	WSH-100T	82



千斤顶固定—轴端游离 (n = 1/4)

千斤顶支承—轴端支承 (n = 1)  
(栓孔式) — (栓孔式)

千斤顶固定—顶板固定 (n = 2)

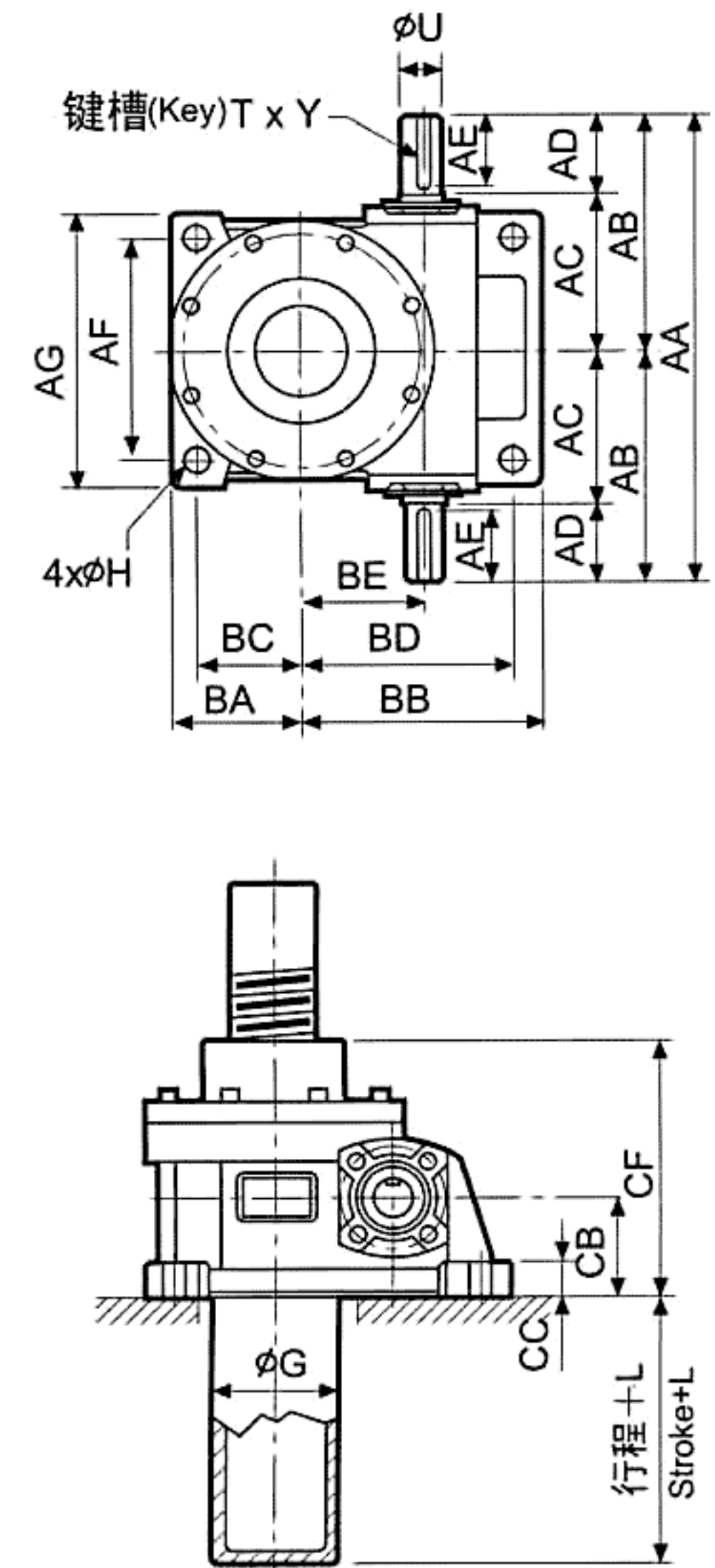
Jack fixation-End-screw dissociate (n=1/4)

Jack supporting-End-screw supporting (n=1)  
(Keyhole)-(Keyhole)

Jack fixation-roof supporting (n=2)

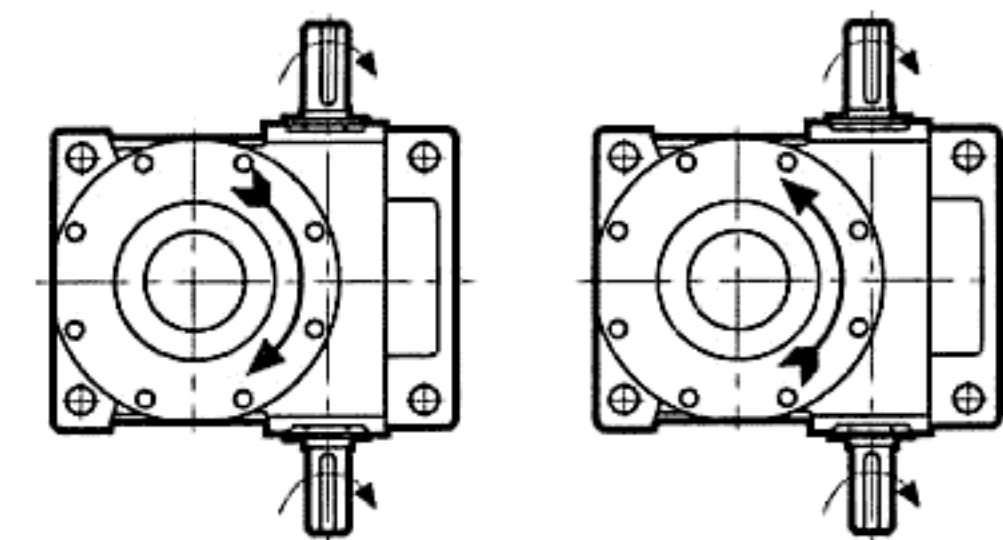
型号 Type	WSH -2T	WSH -3T	WSH -5T	WSH -10T	WSH -15T	WSH -20T	WSH -30T	WSH -40T	WSH -50T	WSH -100T
梯形螺纹 Buttress thread screw 直径Diameter 螺距Distance of screw	φ25 P=5	φ32 P=6	φ38 P=6	φ45 P=8	φ50 P=8	φ65 P=10	φ75 P=12	φ80 P=12	φ90 P=14	φ100 P=16
减速比 Ratio	1/5 1/10 1/20	1/6 1/12 1/24	1/6 1/12 1/24	1/8 1/16 1/32	1/8 1/16 1/32	1/10 1/20 1/40	1/12 1/18 1/36	1/12 1/18 1/36	1/7 1/14 1/28	1/8 1/16 1/32
<b>AA</b>	170	220	220	256	264	316	390	420	480	550
<b>AB</b>	85	110	110	128	132	158	195	210	240	275
<b>AC</b>	55	70	70	88	92	108	130	145	170	180
<b>AD</b>	30	40	40	40	40	50	65	65	70	95
<b>AE</b>	25	35	35	35	35	45	60	60	65	90
<b>AF</b>	66	80	90	100	110	140	190	210	240	250
<b>AG</b>	90	110	120	140	150	180	230	260	300	320
<b>AH</b>	/	70	80	100	100	120	150	165	194	218
<b>BA</b>	50	57	60	90	90	95	110	130	160	170
<b>BB</b>	85	98	110	140	140	155	200	225	255	285
<b>BC</b>	38	42	45	70	70	75	85	105	130	135
<b>BD</b>	73	83	95	120	120	135	175	200	225	250
<b>BE</b>	35	40	50	60	63	70	100	120	130	150
<b>CB</b>	40	50	50	60	60	70	85	100	120	125
<b>CC</b>	15	18	18	20	20	25	30	30	30	35
<b>CF</b>	110	130	130	160	160	180	220	260	315	345
<b>φG</b>	44.5	51	63.5	70	82.6	95.3	/	/	/	/
<b>φU</b>	15	18	18	25	25	28	32	35	45	50
<b>TxV</b>	5X3	6X3.5	6X3.5	8X4	8X4	8X4	10X5	10X5	14X5.5	14X5.5
<b>L</b>	Stroke +55	Stroke +60	Stroke +60	Stroke +60	Stroke +65	Stroke +75	/	/	/	/
<b>φLA</b>	/	130	130	165	165	165	215	215	265	265
<b>φLB</b>	/	110	110	130	130	130	180	180	230	230
<b>φLC</b>	/	160	160	200	200	200	250	250	300	300
<b>LZ</b>	/	M8 P1.25	M8 P1.25	M10 P1.5	M10 P1.5	M10 P1.5	M12 P1.75	M12 P1.75	M16 P2.0	M16 P2.0
<b>φd WxY 直联功率 Coupling power</b>	/	14 5x2.3 0.25/0.37	14 5x2.3 0.25/0.37	19 6x2.8 0.75	19 6x2.8 0.75	24 8x3.3 1.5	28 8x3.3 2.2	28 8x3.3 4	38 10x3.3 5.5	38 10x3.3 7.5
<b>φd WxY 直联功率 Coupling power</b>	/	/	/	24 8x3.3 0.75	24 8x3.3 0.75	/	/	/	/	/
<b>φH</b>	12	12	12	18	18	18	22	22	22	27
参考页数 Consult page	P52	P53	P54	P55	P56	P57	P58	P59	P60	P61

## 双入力 (标准型) Double-shaft input (standard)

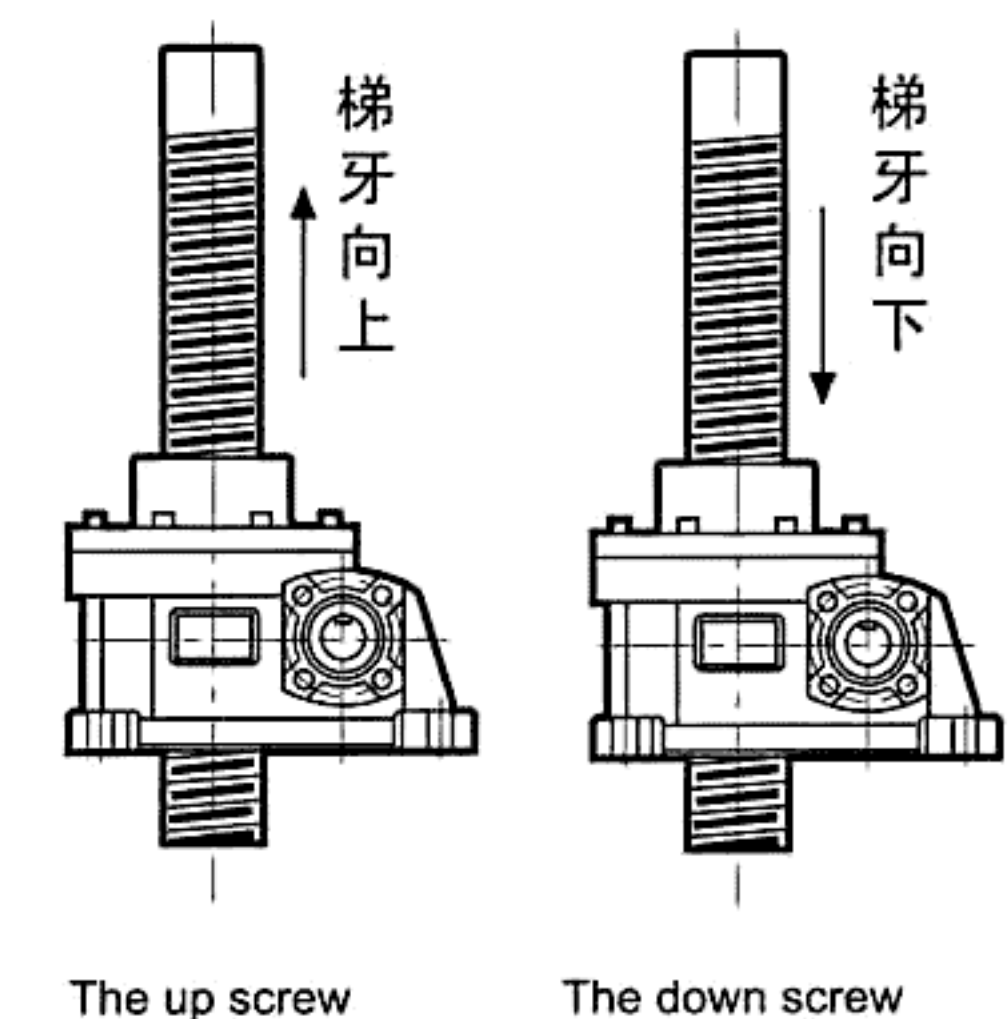


## 输入转向与丝杆上下运动 关系如下 (标准型): Input shaft direction of rotation and the up screw or down (standard):

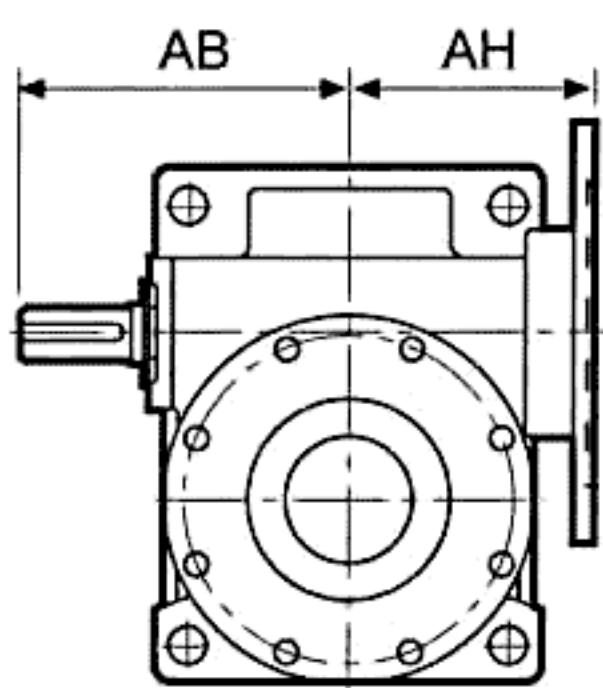
(右旋) (左旋)  
Right-rotation Left-rotation



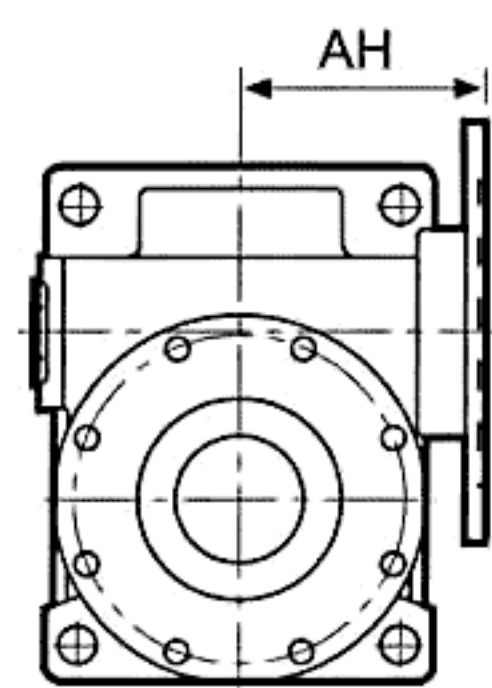
## 旋转方向 Direction of rotation



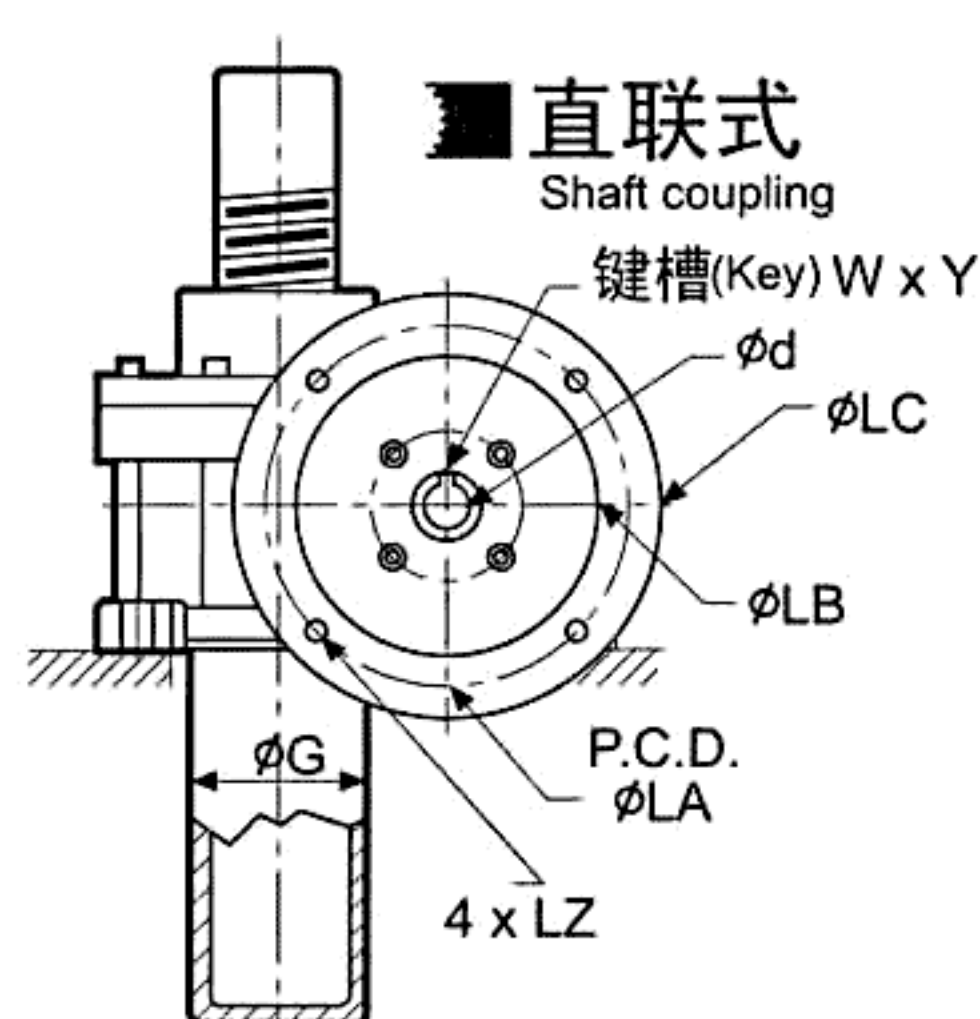
## 直联双入 Shaft and flange coupling



## 直联单入 Flange coupling

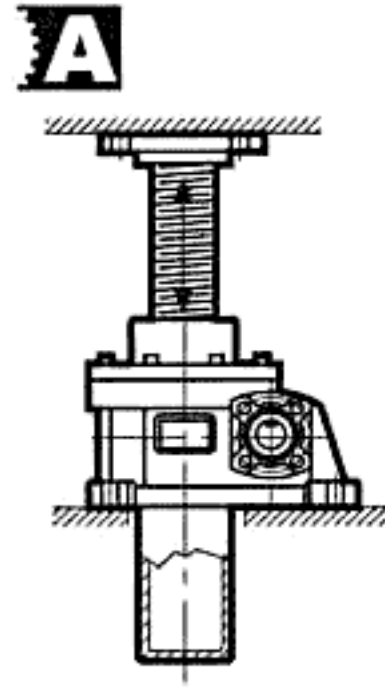


## 直联式 Shaft coupling

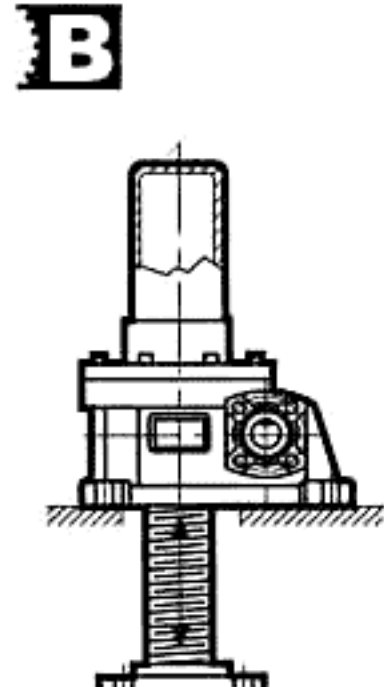


## 安装方式 Mounting positions

以举升量防止螺杆接头转动  
Prevent end-screw turn form elevating weight

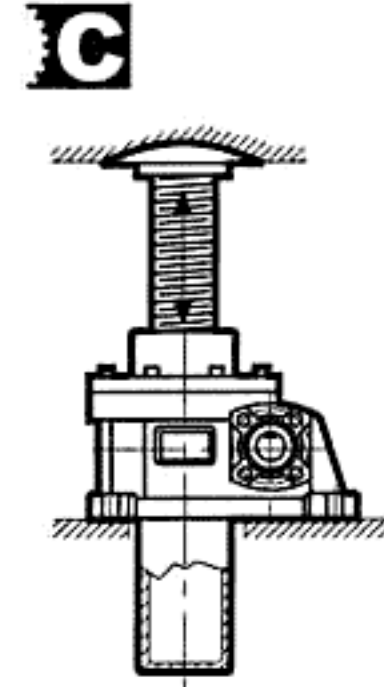


**A**  
双管直立式  
Double-tube perpendicular

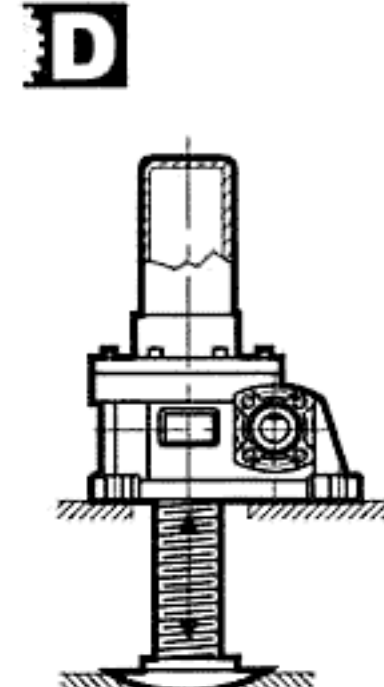


**B**  
双管倒立式  
Double-tube handstand

以楔子固定升降螺杆防止其转动  
(丝杆可上下, 不旋转)  
Prevent elevating screw turn form abutment screw  
(Screw can rising or descent, can't revolve)

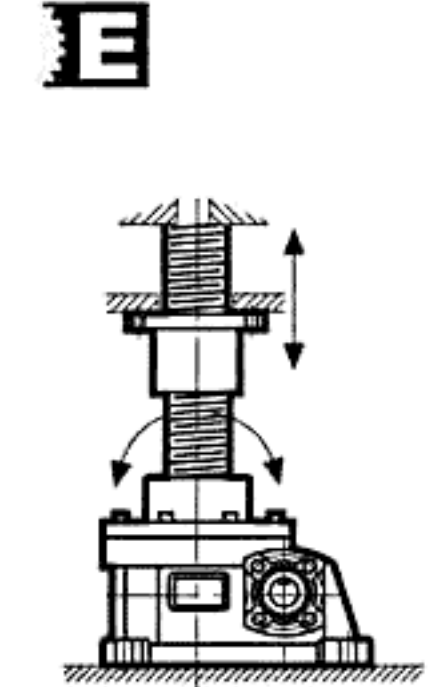


**C**  
锁定直立式  
Lock perpendicular

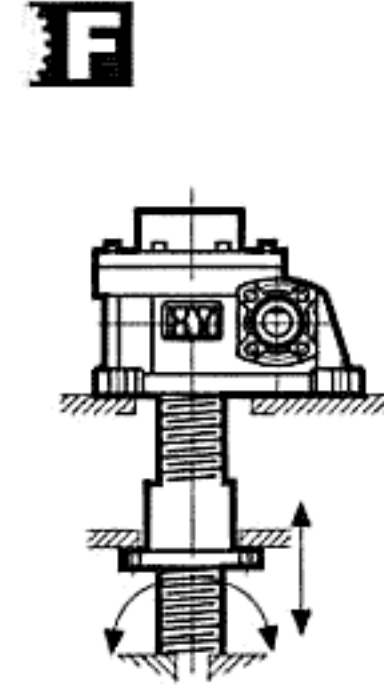


**D**  
锁定倒立式  
Lock handstand

螺杆旋转—外活支螺帽必需与升降机件接合,  
升降机件应予固定使之转动一致  
Screw turn-screw casing tube with assembly of worm-gear elevators,  
Bring casing tube and worm-gear elevators assembly into direction of rotation.



**E**  
旋转直立式  
Rotation perpendicular



**F**  
旋转倒立式  
Rotation handstand

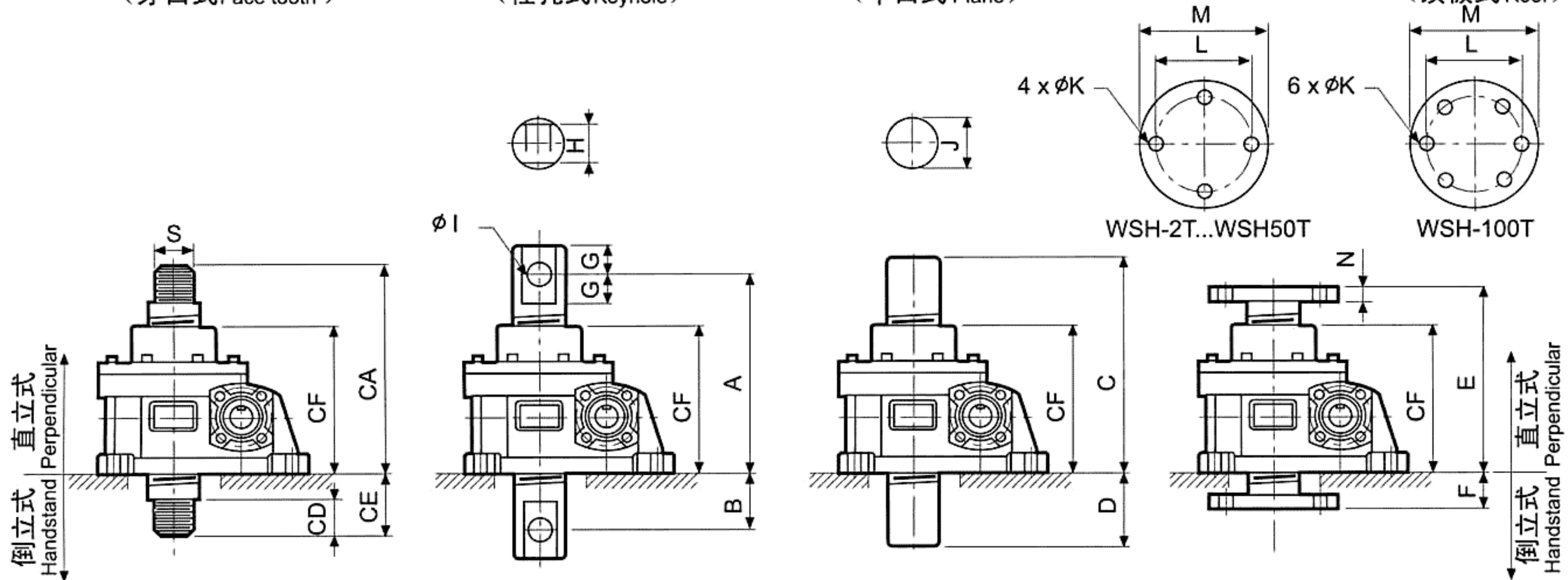
## 螺杆端型式 Screw type

**S型 (S type)**  
(牙口式 Face tooth)

**H型 (H type)**  
(栓孔式 Keyhole)

**R型 (R type)**  
(平口式 Plane)

**T型 (T type)**  
(顶板式 Roof)



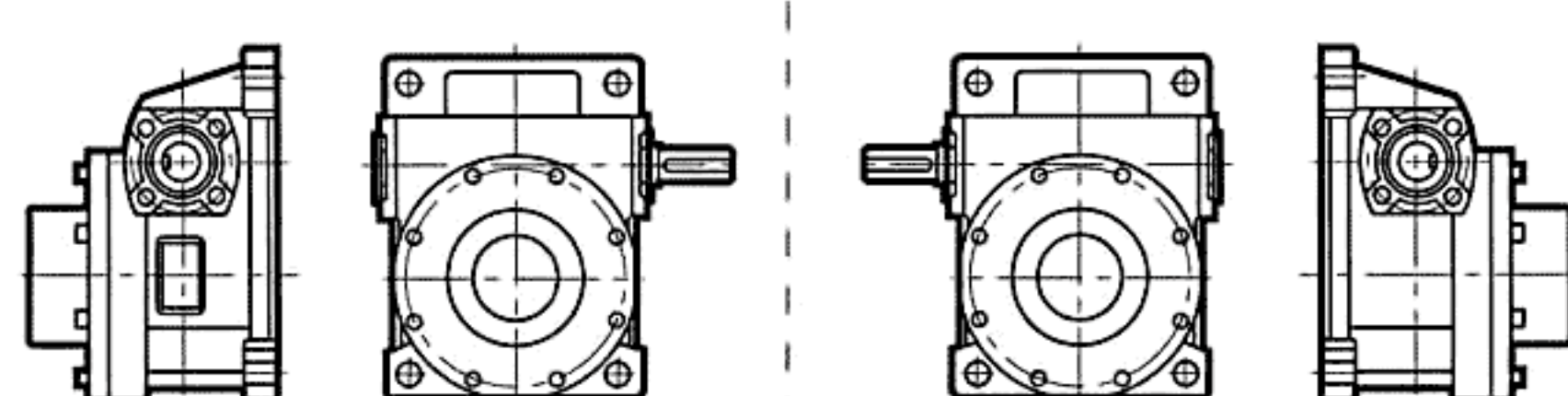
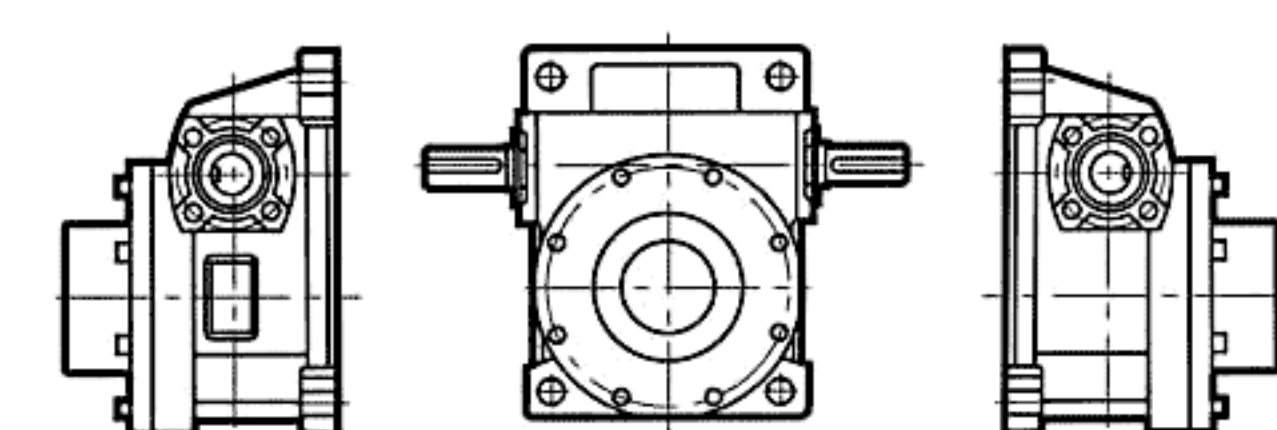
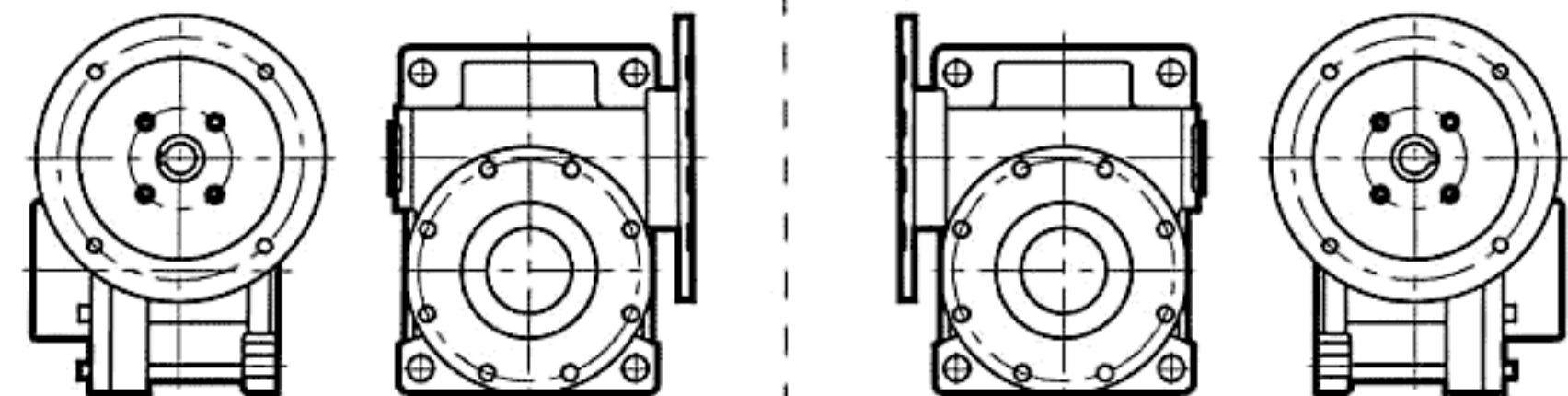
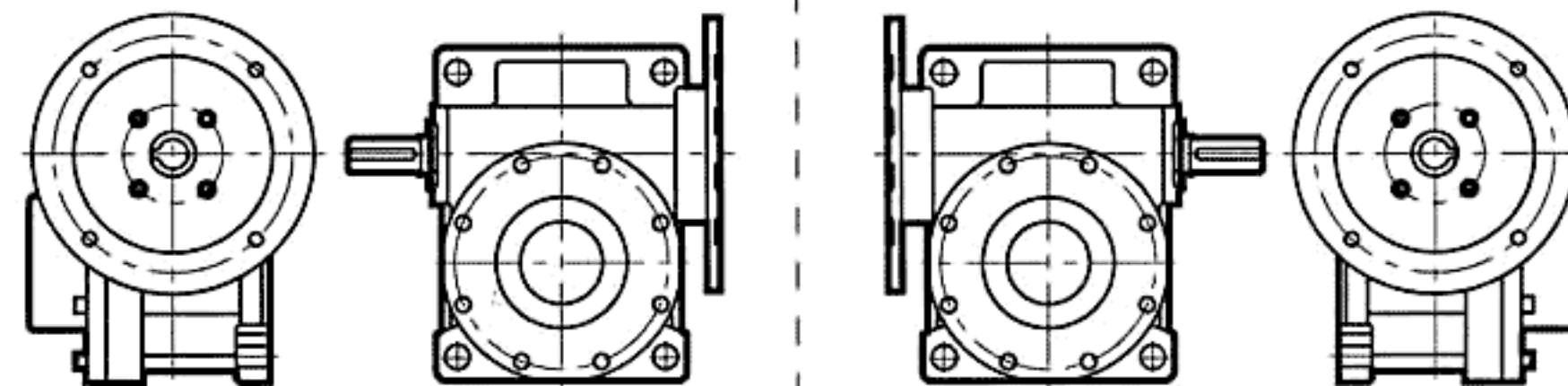
型号 Type	CA	CD	CE	S	A	B	C	D	E	F	G	H	I	J	K	L	M	N
<b>WSH-2T</b>	150	28	40	M16 x 1.5	165	55	165	55	135	25	20	16	12	25	10	70	88	10
<b>WSH-3T</b>	180	32	50	M22 x 2	195	65	195	65	160	30	25	20	14	32	10	80	98	13
<b>WSH-5T</b>	180	35	50	M27 x 2	195	65	195	65	160	30	25	25	16	38	12	90	114	13
<b>WSH-10T</b>	220	40	60	M33 x 2	255	95	225	65	200	40	32	32	20	45	14	100	138	16
<b>WSH-15T</b>	220	45	63	M36 x 2	255	95	225	65	210	50	32	36	24	50	18	110	148	20
<b>WSH-20T</b>	260	55	80	M42 x 2	294	114	250	70	135	55	35	44	26	65	21	125	178	25
<b>WSH-30T</b>	300	65	80	M56 x 2	255	135	295	75	185	65	44	56	35	75	21	140	188	28
<b>WSH-40T</b>	360	70	100	M64 x 2	410	150	355	95	330	70	54	60	38	80	25	170	218	30
<b>WSH-50T</b>	435	75	120	M76 x 2	480	165	429	114	390	75	64	70	45	90	27	200	248	32
<b>WSH-100T</b>	495	100	150	M80 x 2	545	200	485	140	445	100	70	80	55	100	27	280	358	35

## 型号表示说明示例 Code for type

**WSH-3T**   **A**   **R**   **A/R**   **1/12**   **300**   **P**

- 保护管 (P加护管、N不带护管)  
Casing tube(P=Casing tube,N=No casing tube)
- 行程为300mm  
Stroke=300mm
- 减速比1/12  
Ratio1/12
- 入力型式 (A.单入力, R右轴输入。参看P50)  
Input type(A=Single-shaft input,R=Right shaft input, Consult page 50)
- 螺杆端型式 (S牙口式、H栓孔式、R平口式、T顶板式, 参看P49)  
Screw type(S face tooth,H Keyhole,R plane,T roof, Consult page 49)
- 安装型式 (A、B、C、D、E、F, 参看P49)  
Mounting positions(A,B,C,D,E,F,Consult page 49)
- 蜗轮升降机型号 (3吨为静支承力, 举升负荷见P51上表。)  
Worm-gear elevators type(3T=Static load,Elevating loads please see the page 51 table)

## 入力型式 Input shaft type

A.单入力 Single-shaft input		B.双入力 Double-shaft input	
<b>R</b>	<b>L</b>		
右轴输入 Right shaft input	左轴输入 Left shaft input		
			
C.直联单入力 Flange input		D.直联双入力 shaft and Flange input	
<b>R</b>	<b>L</b>	<b>R</b>	<b>L</b>
右法兰直联 Right-flange input	左法兰直联 Left-flange input	右直联双入 Right flange & Left shaft input	左直联双入 Left flange & Right shaft input
			

## 输入轴功率与负载、升降速度的关系 Input shaft power, loads and elevating speed

型号 Type	升降 Elevating 梯形螺纹 Buttress thread screw 直径 Diameter 螺距 Distance of screw	蜗轮 Worm gear 减速比 Ratio	1800 RPM 输入轴转速 Input speed			1500 RPM 输入轴转速 Input speed			1200 RPM 输入轴转速 Input speed			900 RPM 输入轴转速 Input speed			600 RPM 输入轴转速 Input speed			300 RPM 输入轴转速 Input speed		
			输入功率 Input power (kW)	举升负荷 Elevating loads (kg)	举升速度 Elevating speed (mm/min)	输入功率 Input power (kW)	举升负荷 Elevating loads (kg)	举升速度 Elevating speed (mm/min)	输入功率 Input power (kW)	举升负荷 Elevating loads (kg)	举升速度 Elevating speed (mm/min)	输入功率 Input power (kW)	举升负荷 Elevating loads (kg)	举升速度 Elevating speed (mm/min)	输入功率 Input power (kW)	举升负荷 Elevating loads (kg)	举升速度 Elevating speed (mm/min)	输入功率 Input power (kW)	举升负荷 Elevating loads (kg)	举升速度 Elevating speed (mm/min)
WSH-2T	φ25 P=5	1/5	0.70	500	1800	0.65	550	1500	0.65	700	1200	0.65	900	900	0.47	1000	600	0.38	100	300
			0.38	500	900	0.38	550	750	0.38	700	600	0.38	750	450	0.38	1000	300	0.19	1350	1500
			0.38	600	450	0.38	700	375	0.38	900	300	0.38	1200	225	0.19	1350	150	0.19	1350	75
WSH-3T	φ32 P=6	1/6	0.98	700	1800	0.94	800	1500	0.89	950	1200	0.92	1300	900	0.84	1800	600	0.42	1800	300
			0.67	950	900	0.65	1100	750	0.61	1300	600	0.58	1650	450	0.47	2000	300	0.38	2000	150
			0.38	950	450	0.38	1100	375	0.38	1300	300	0.38	1650	225	0.38	2000	150	0.19	2000	75
WSH-5T	φ38 P=6	1/6	1.40	900	1800	1.29	1000	1500	1.25	1200	1200	1.16	1500	900	0.88	1700	600	0.54	2100	300
			1.10	1350	900	1.02	1500	750	0.98	1800	600	0.88	2150	450	0.59	2150	300	0.38	2500	150
			0.78	180	450	0.72	2000	375	0.69	2400	300	0.55	2550	225	0.42	2900	150	0.38	2850	75
WSH-10T	φ45 P=8	1/8	2.13	1300	1800	1.98	1450	1500	1.86	1700	1200	1.73	2100	900	1.67	3050	600	1.31	4800	300
			1.13	1300	900	1.05	1450	750	0.98	1700	600	0.95	2200	450	0.88	3050	300	0.69	4800	150
			0.80	1750	450	0.75	1950	375	0.69	2250	300	0.64	2800	225	0.65	4100	150	0.56	6400	75
WSH-15T	φ50 P=8	1/8	2.02	1300	1800	1.88	1450	1500	1.76	1700	1200	1.63	2100	900	1.58	3050	600	1.25	4800	300
			1.07	1300	900	0.99	1450	750	0.93	1700	600	0.90	2200	450	0.83	3050	300	0.65	4800	150
			0.76	1750	450	0.71	1950	375	0.65	2250	300	0.61	2800	225	0.59	4100	150	0.46	6400	75
WSH-20T	φ65 P=10	1/10	2.68	1400	1800	2.43	1850	1500	2.26	1950	1200	2.13	2450	900	1.94	3350	600	1.42	4900	300
			1.43	1600	900	1.48	1850	750	1.38	2250	600	1.29	2800	450	1.19	3850	300	0.86	5600	150
			1.15	2400	450	1.18	2800	375	1.10	3350	300	1.08	4400	225	0.94	5750	150	0.69	8400	75
WSH-30T	φ75 P=12	1/12	3.65	1850	1800	3.53	2150	1500	3.41	2600	1200	3.20	3250	900	2.96	4500	600	2.10	6400	300
			2.67	1900	1200	2.69	2300	1000	2.58	2750	800	2.46	3500	600	2.21	4700	400	1.57	6700	200
			1.67	2200	600	1.64	2600	500	1.61	3200	400	1.48	3900	300	1.37	5400	200	1.21	9600	100
WSH-40T	φ80 P=12	1/12	4.17	1975	1800	4.04	2300	1500	3.83	2750	1200	3.83	3625	900	3.50	4975	600	2.49	7050	300
			3.22	2125	1200	3.22	2550	1000	3.05	3025	800	3.05	4025	600	2.75	5450	400	1.95	7725	200
			2.15	2625	600	2.09	3050	500	2.00	3650	400	2.00	4875	300	1.81	6600	200	1.41	10300	100
WSH-50T	φ90 P=14	1/7	9.53	2100	3600	9.23	2450	3000	12.10	2850	2400	8.63	4000	1800	8.25	5450	1200	5.87	7750	600
			5.79	2350	1800	5.75	2800	1500	0.83	3300	1200	5.42	4550	900	5.09	6200	600	3.59	8750	300
			4.10	3050	900	3.92	3500	750	3.93	4100	600	3.68	5850	450	3.50	7800	300	2.46	11000	150
WSH-100T	φ100 P=16	1/8	16.35	3500	3600	16.13	4000	3000	15.90	5400	2400	15.15	7100	1800	14.93	9850	1200	9.75	12950	600
			11.78	4300	1800	11.63	5400	1500	10.58	7200	1200	11.03	9450	900	9.68	11800	600	7.13	17350	300
			8.70	5500	900	9.6	6800	750	7.40	10000	600	7.58	14300	450	7.06	15750	300	5.84	26050	150

## 螺杆升降行程与螺杆长度计算 Stroke of elevating screw and screw length analysis

\* 下表行程=300m/m各型式计算范例 \* Right table stroke=300m/m criteria for selection

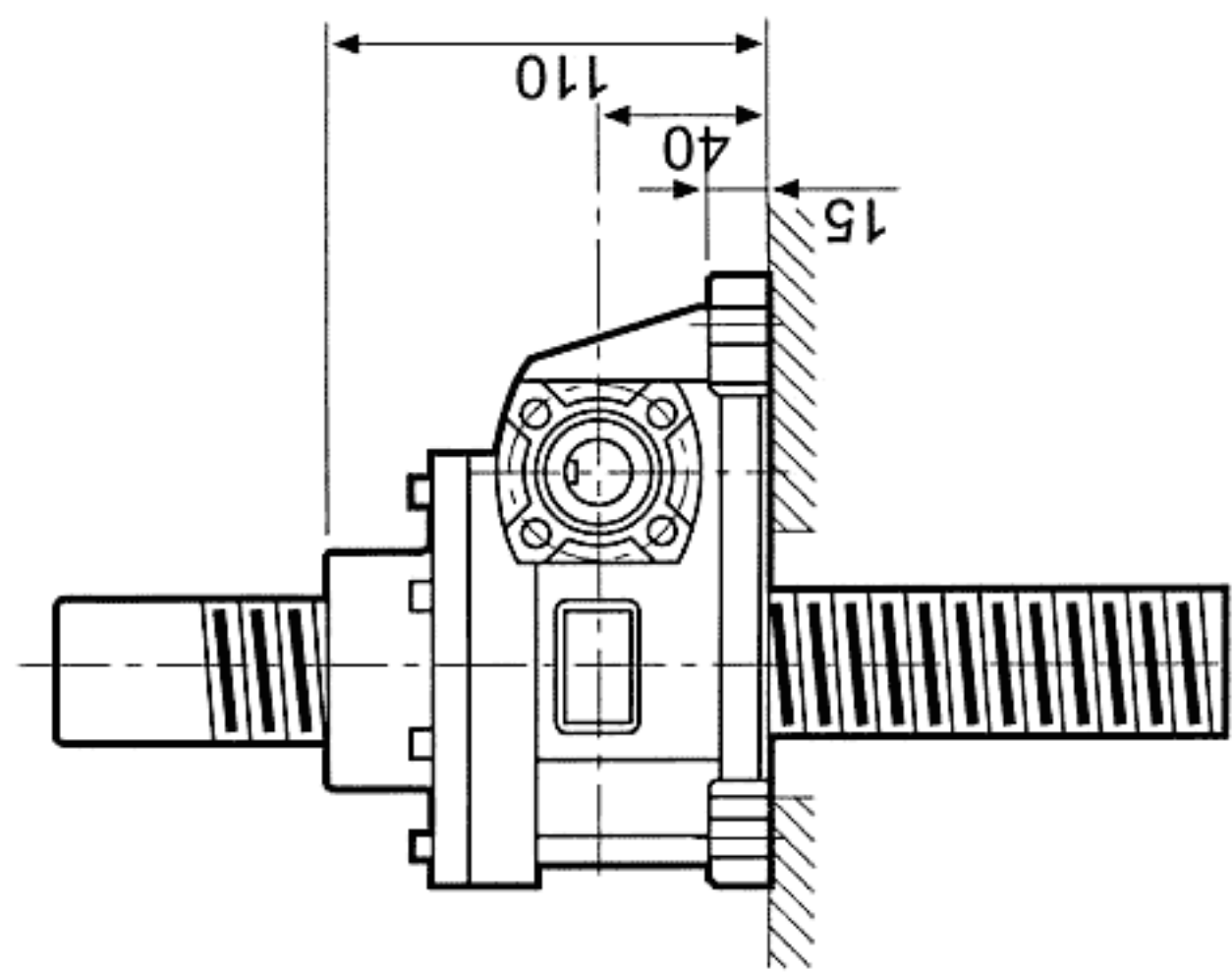
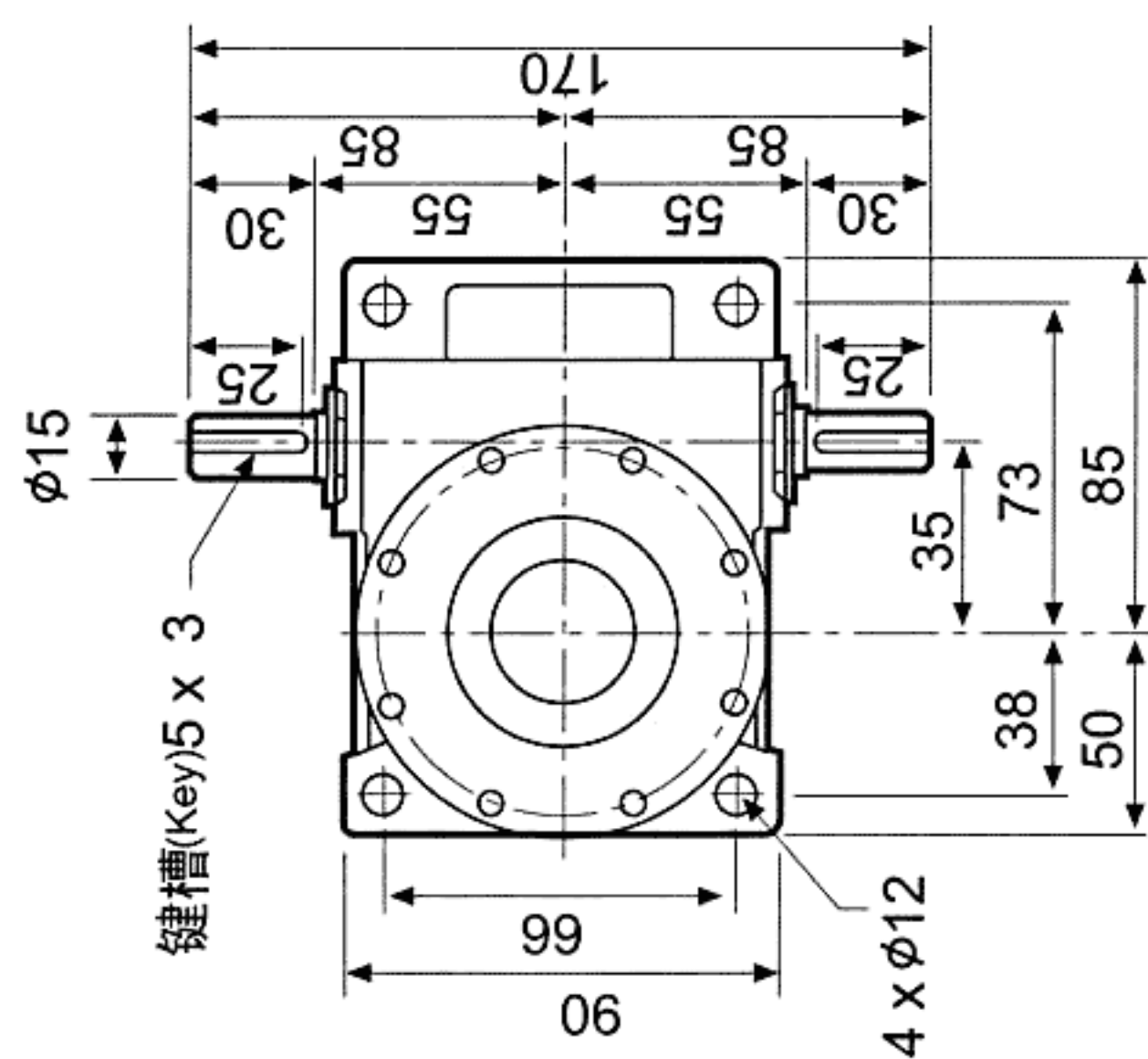
型号 Type	直径 Diameter	螺距 Distance of screw	行程Stroke (例) 300m/m Casing tube length	杆端S型 S type		杆端H型 H type		杆端R型 R type		杆端T型 T type	
				护管长 Casing tube length	机身+CE+行程 =螺杆总长 Qirframe+CE+Stroke=Screw length	螺杆总长-CE =牙长 Screw length-CE=Screw-eye length	机身+B+G+行程 =螺杆总长 Qirframe+B+G+Stroke=Screw length	螺杆总长-B-G =牙长 Screw length-B-G=Screw-eye length	机身+D+行程 =螺杆总长 Qirframe+D+Stroke=Screw length	螺杆总长-D =牙长 Screw length-D=Screw-eye length	机身+F+行程 =螺杆总长 Qirframe+F+Stroke=Screw length
WSH-2T	25	P=5	300+55=355	110+40+300=450	450-40=410	110+55+20+300=485	485-55-20=410	110+55+300=465	465-55=410	110+25+300=435	435-25=410
WSH-3T	32	P=6	300+60=360	130+50+300=480	480-50=430	130+65+25+300=520	520-65-25=430	130+65+30=495	495-65=430	130+30+300=460	460-30=430
WSH-5T	38	P=6	300+60=360	130+50+300=480	480-50=430	130+65+25+300=520	520-65-25=430	130+65+300=495	495-65=430	130+30+300=460	460-30=430
WSH-10T	45	P=8	300+65=365	160+60+300=520	520-60=460	160+95+32+300=587	587-95-32=460	160+65+300=525	525-65=460	160+40+300=500	500-40=460
WSH-15T	50	P=8	300+65=365	160+60+300=520	520-60=460	160+95+32+300=587	587-95-32=460	160+65+300=525	525-65=460	160+50+30=510	510-50=460
WSH-20T	65	P=10	300+75=375	180+80+300=560	560-80=480	180+114+35+300=629	629-114-35=480	180+70+300=550	550-70=480	180+55+300=535	535-55=480
WSH-30T	75	P=12		220+80+300=600	600-80=520	220+135+44+300=699	699-135-44=520	220+75+300=595	595-75=520	220+65+300=585	585-65=520
WSH-40T	80	P=12		260+100+300=660	660-100=560	260+150+54+300=764	764-150-54=560	260+95+300=655	655-95=560	260+70+300=630	630-70=560
WSH-50T	90	P=14		315+120+300=735	735-120=615	315+165+64+300=844	844-165-64=615	315+114+300=729	729-114=615	315+75+300=690	690-75=615
WSH-100T	100	P=16		345+150+300=795	795-150=645	345+200+70+300=915	915-200-70=645	345+140+300=785	785-140=645	345+100+300=745	745-100=645

注: 有特殊要求的客户, 请联系本公司。  
Note: Customer if there is special request, and please contact with our company.

型号 Type	WSH-2T	减速比 Ratio	1/5 1/10 1/20	螺杆直径 Screw diameter	φ25h9	螺杆螺距 Distance screw-eye	P=5
------------	--------	--------------	---------------	------------------------	-------	----------------------------	-----

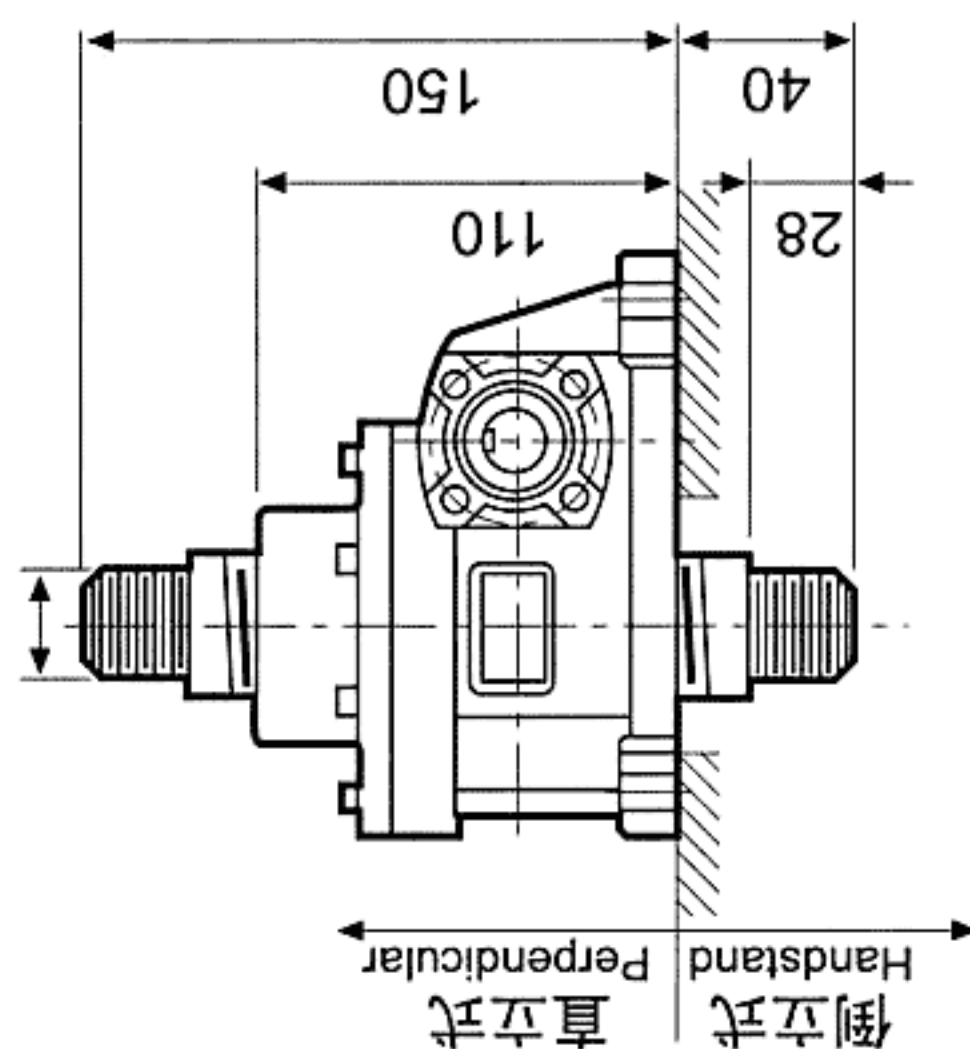
杆端型式及最短距离关系尺寸  
Screw type & minimum allowable distance

双入力 (标准型)  
Double-shaft input(standard)

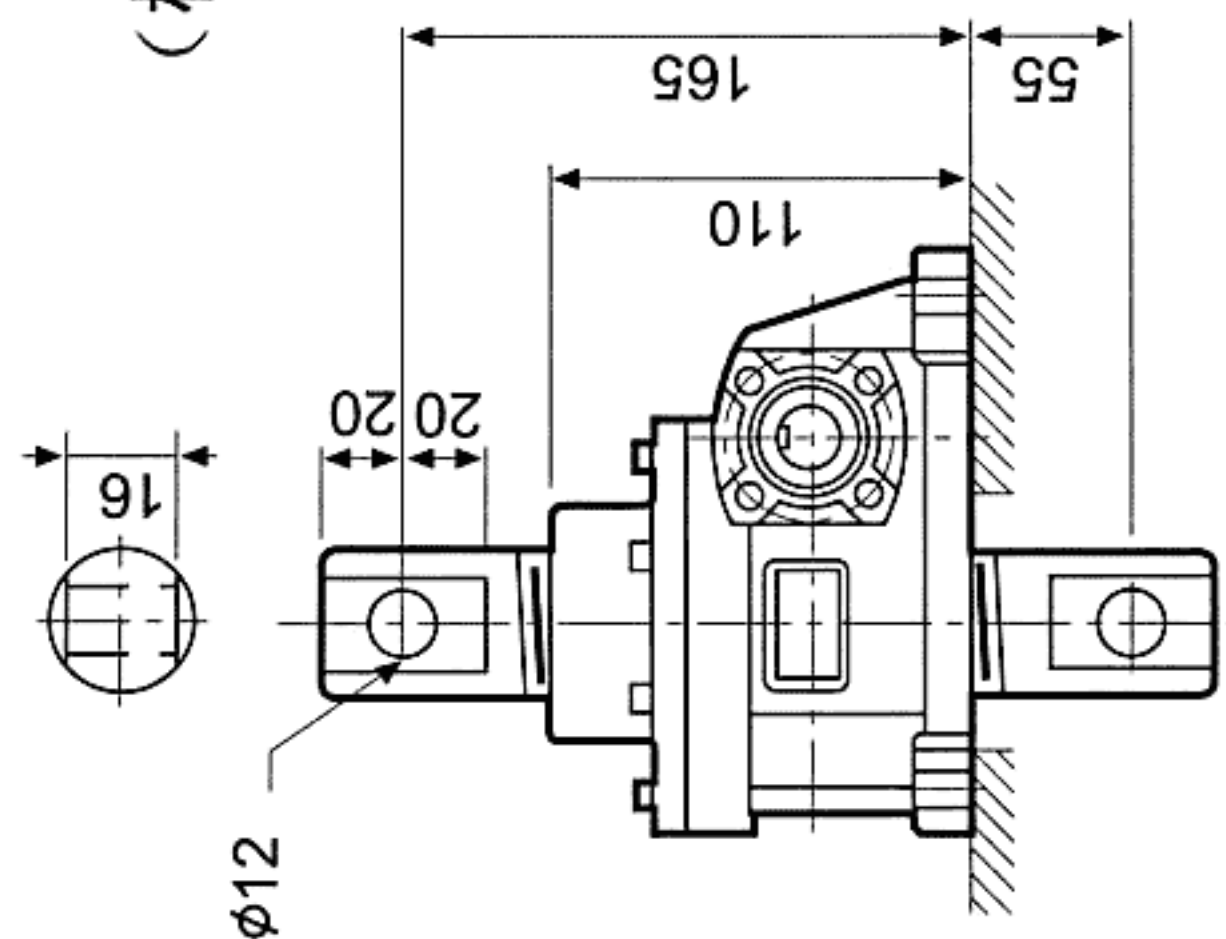


**S型 (牙口式)**  
S type(Face tooth)

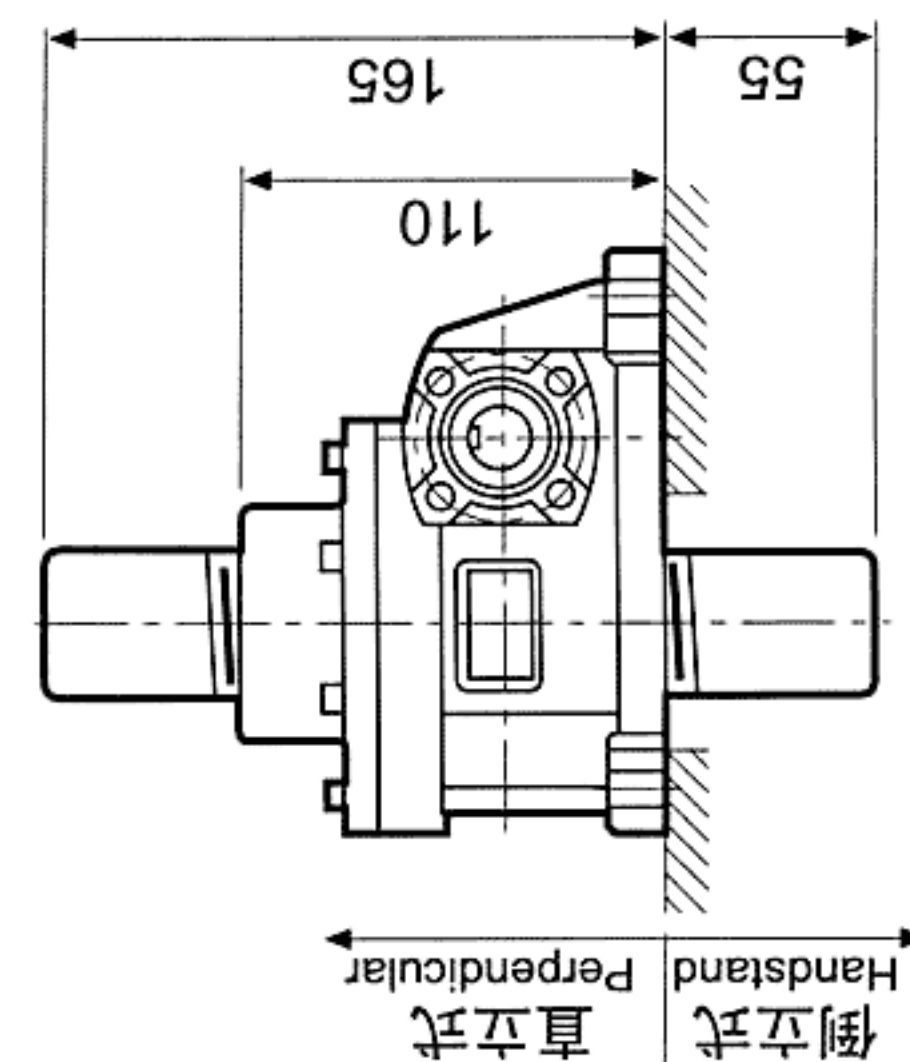
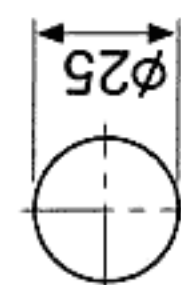
M16 x 1.5



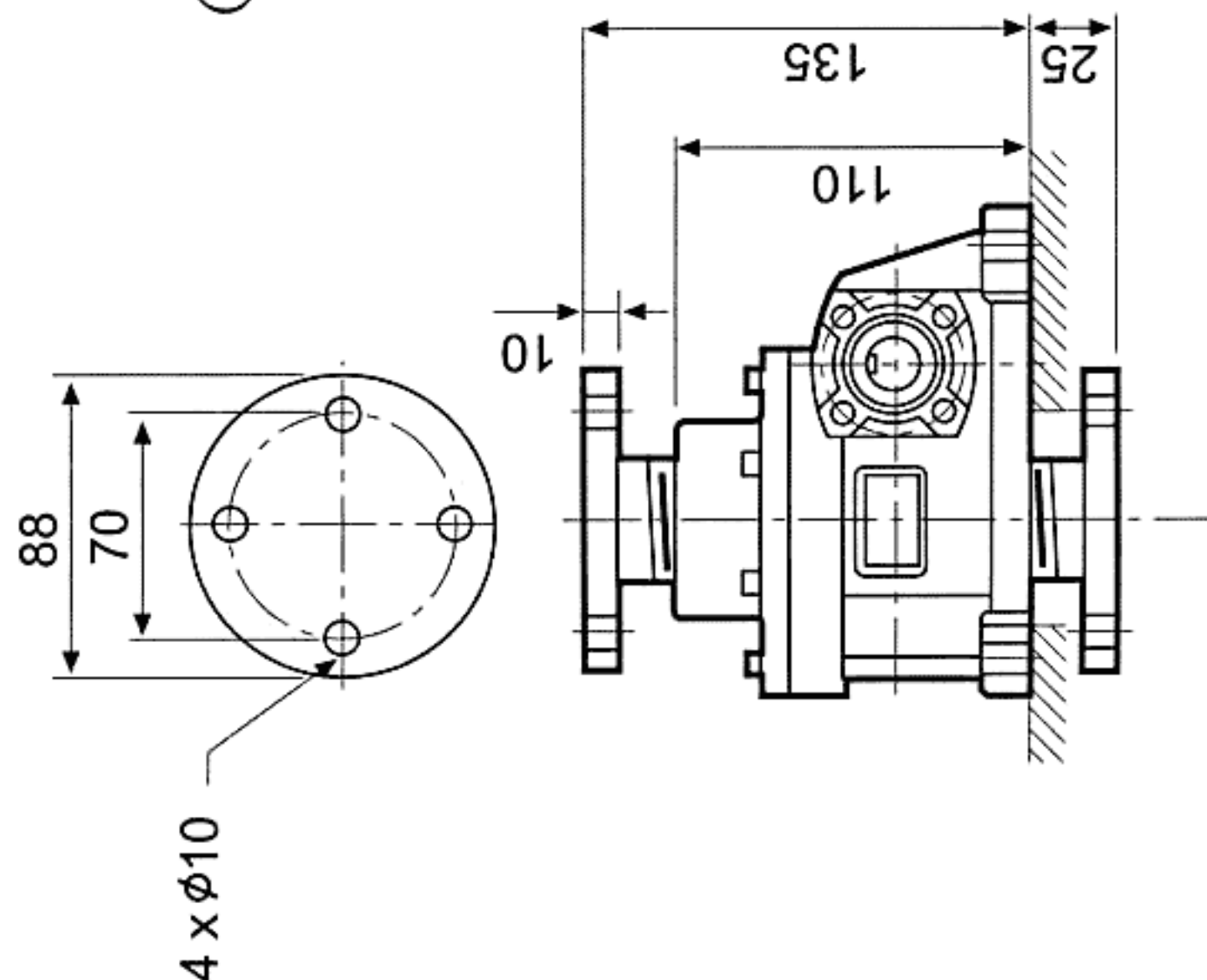
**H型 (H type)**  
(栓孔式 Keyhole)



**R型 (平口式)**  
R type(Plane)



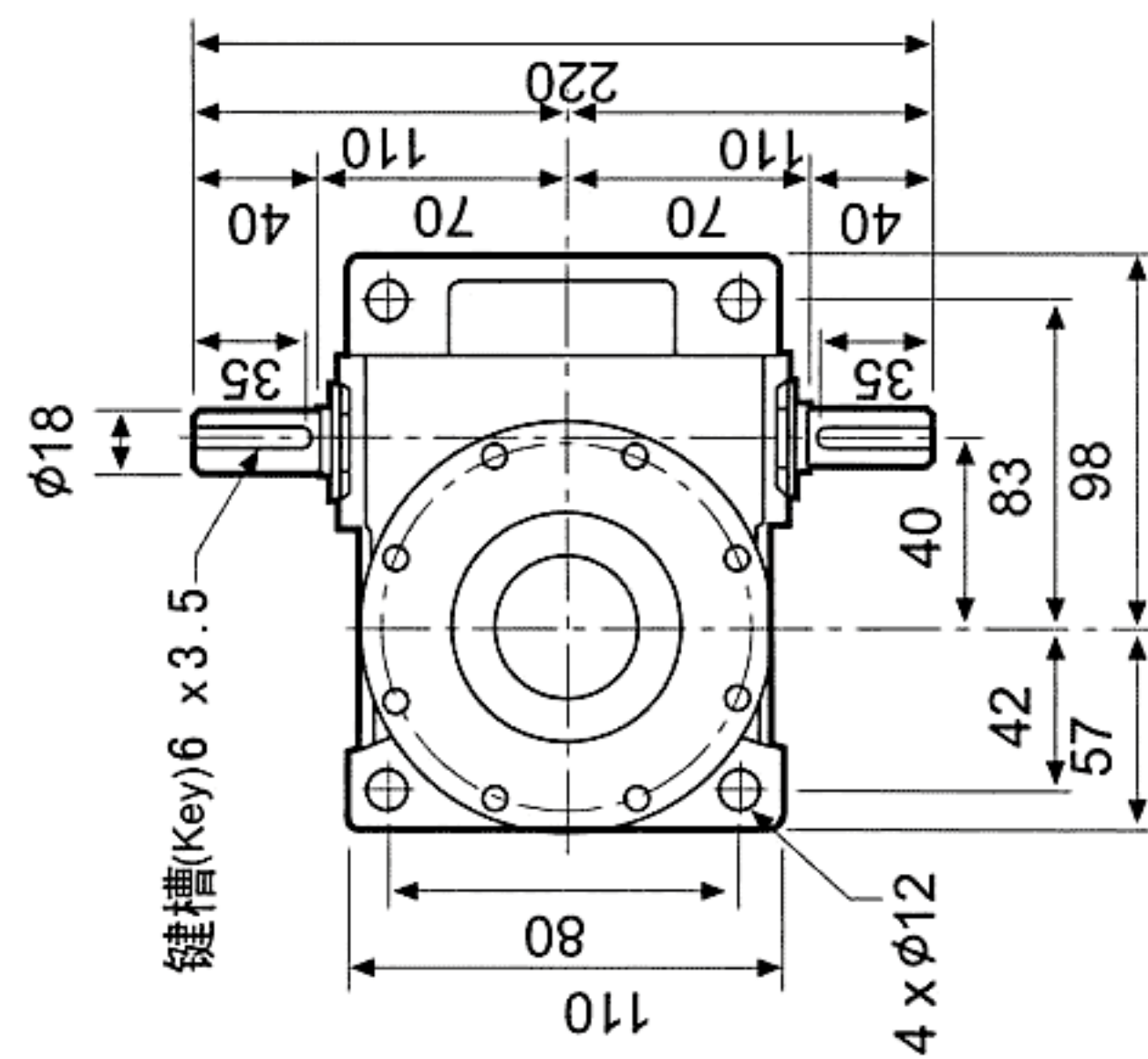
**T型 (T type)**  
(顶板式 Roof)



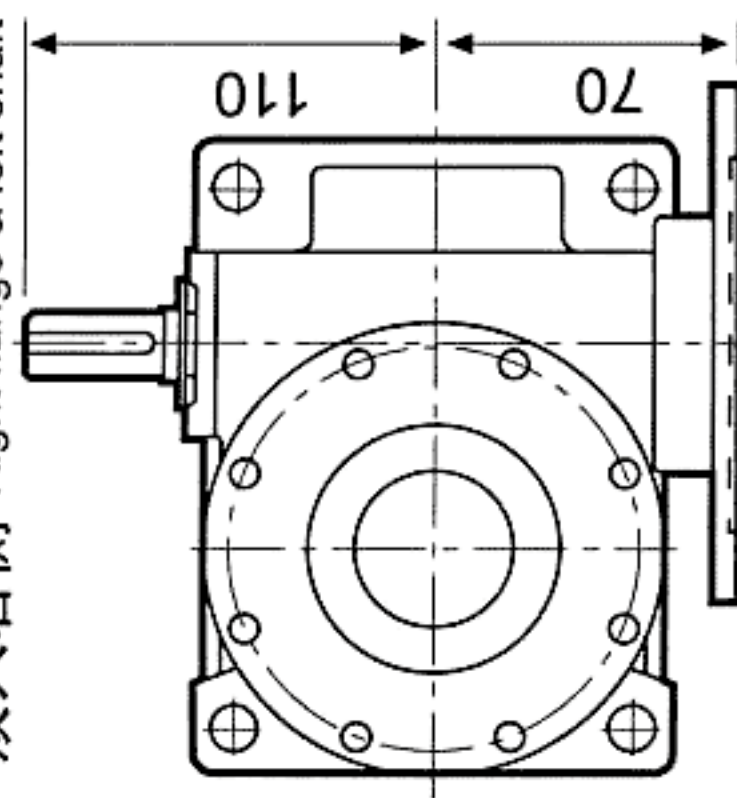
型号 Type	WSH-3T	减速比 Ratio	1/6 1/12 1/24	螺杆直径 Screw diameter	φ32h9	螺杆螺距 Distance screw-eye	P=6
------------	--------	--------------	---------------	------------------------	-------	----------------------------	-----

杆端型式及最短距离关系尺寸  
Screw type & minimum allowable distance

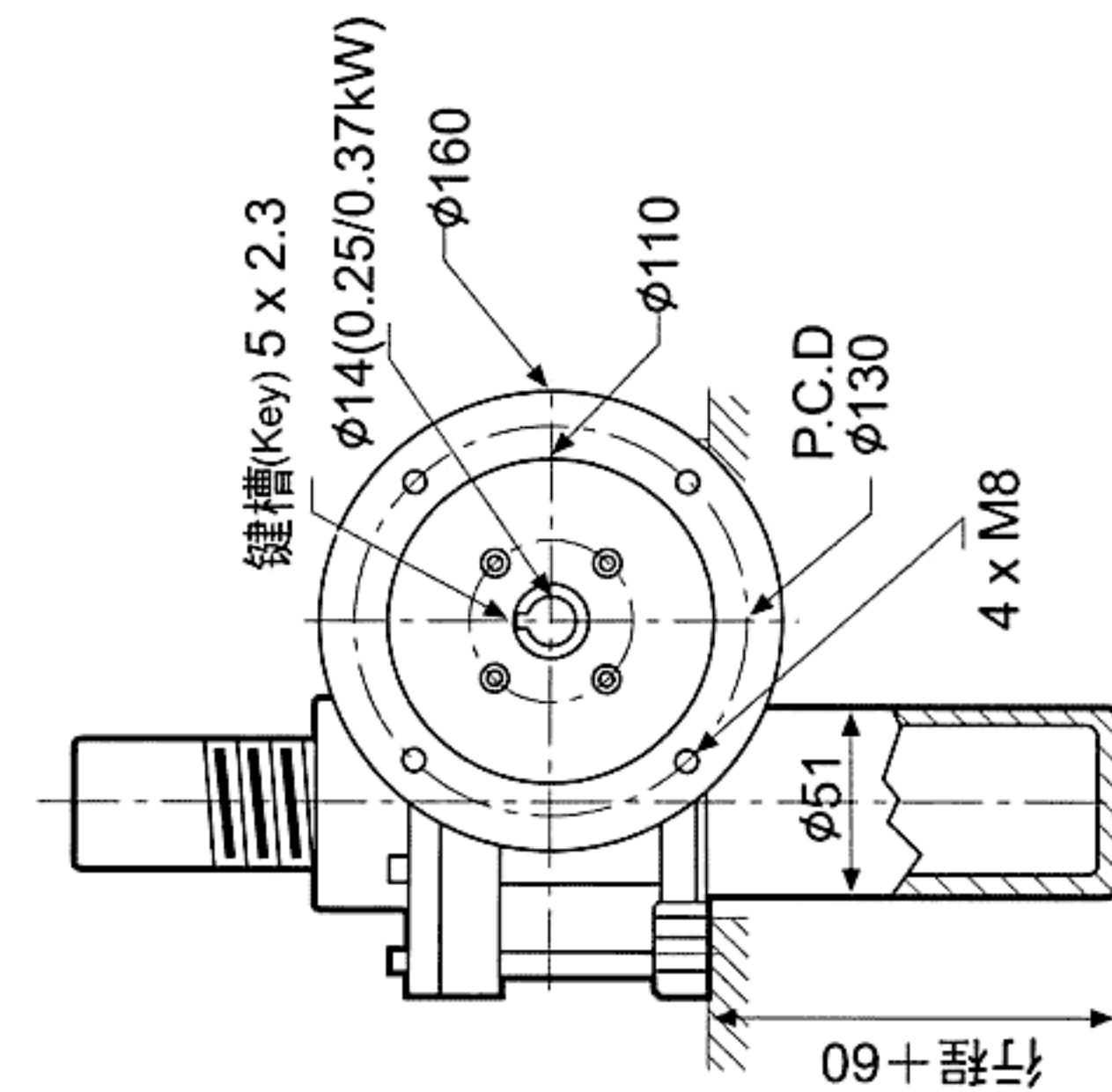
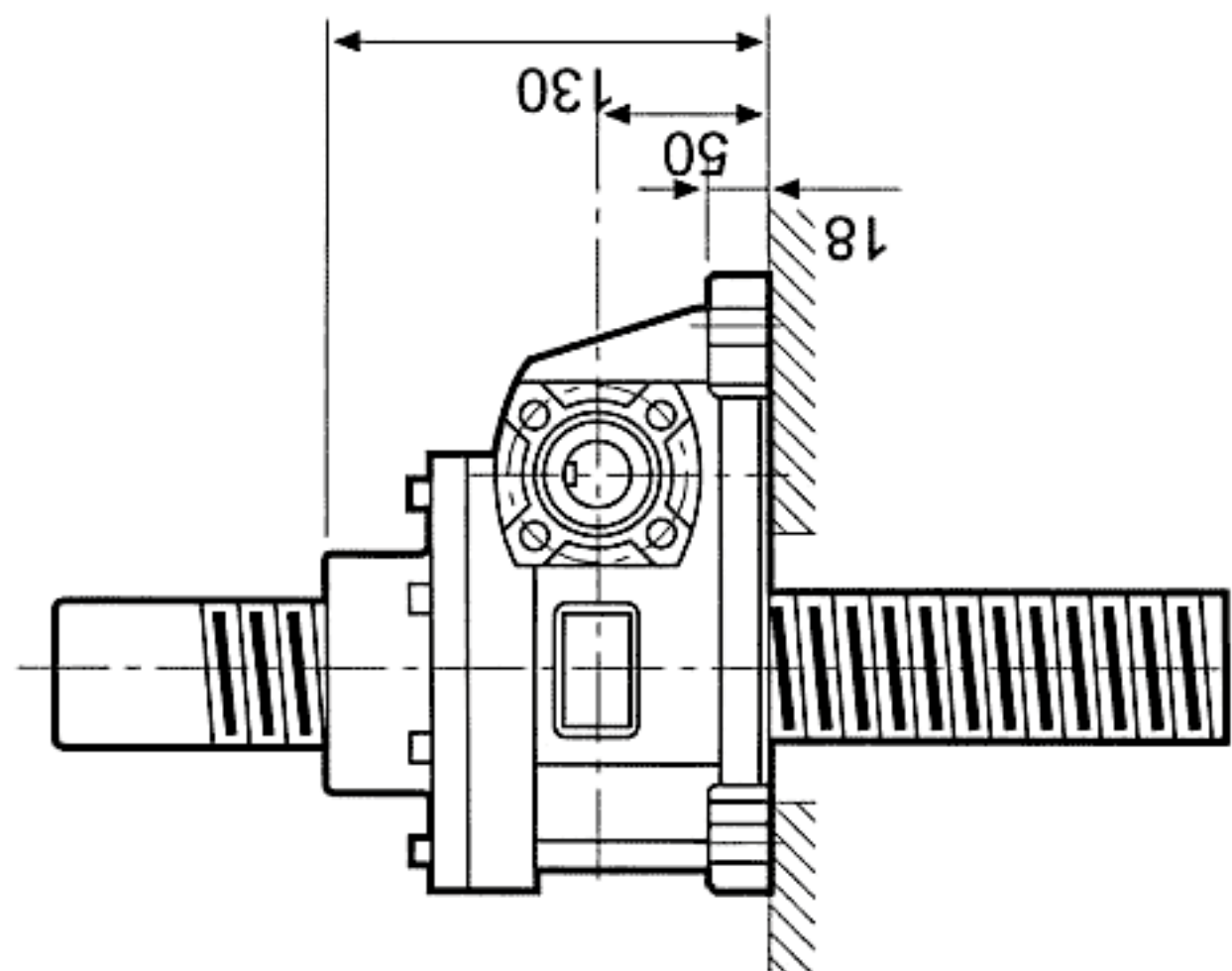
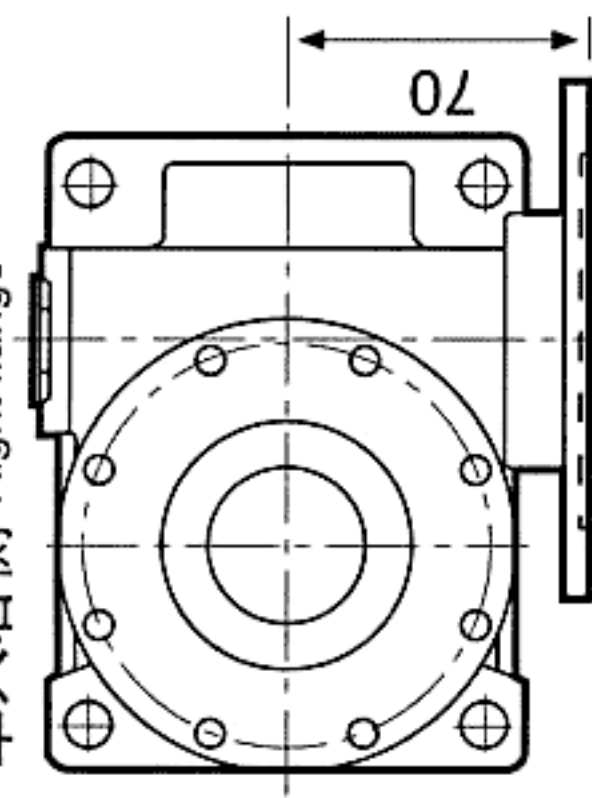
双入力 (标准型)  
Double-shaft input(standard)



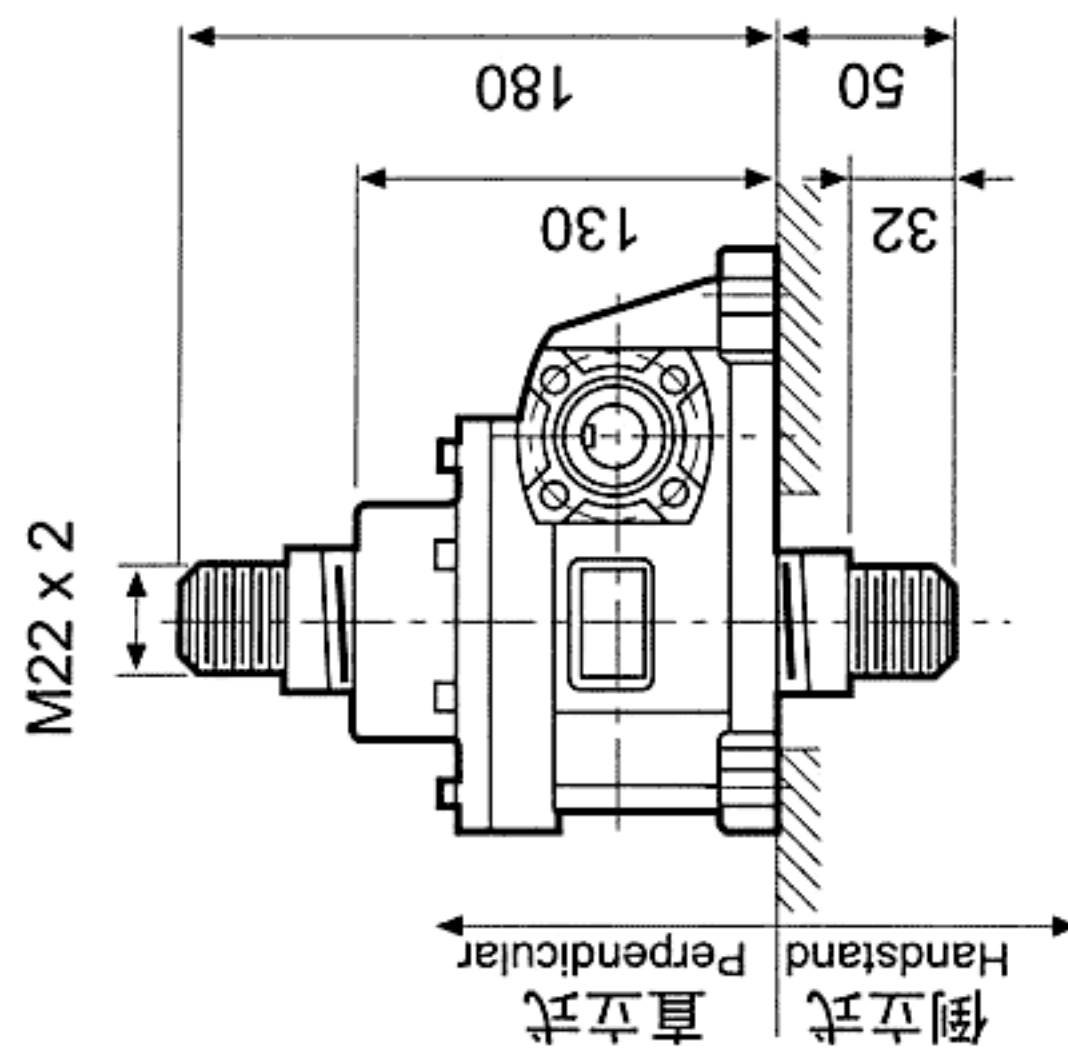
①直联式 Coupling input  
双入右侧 Right flange & left shaft



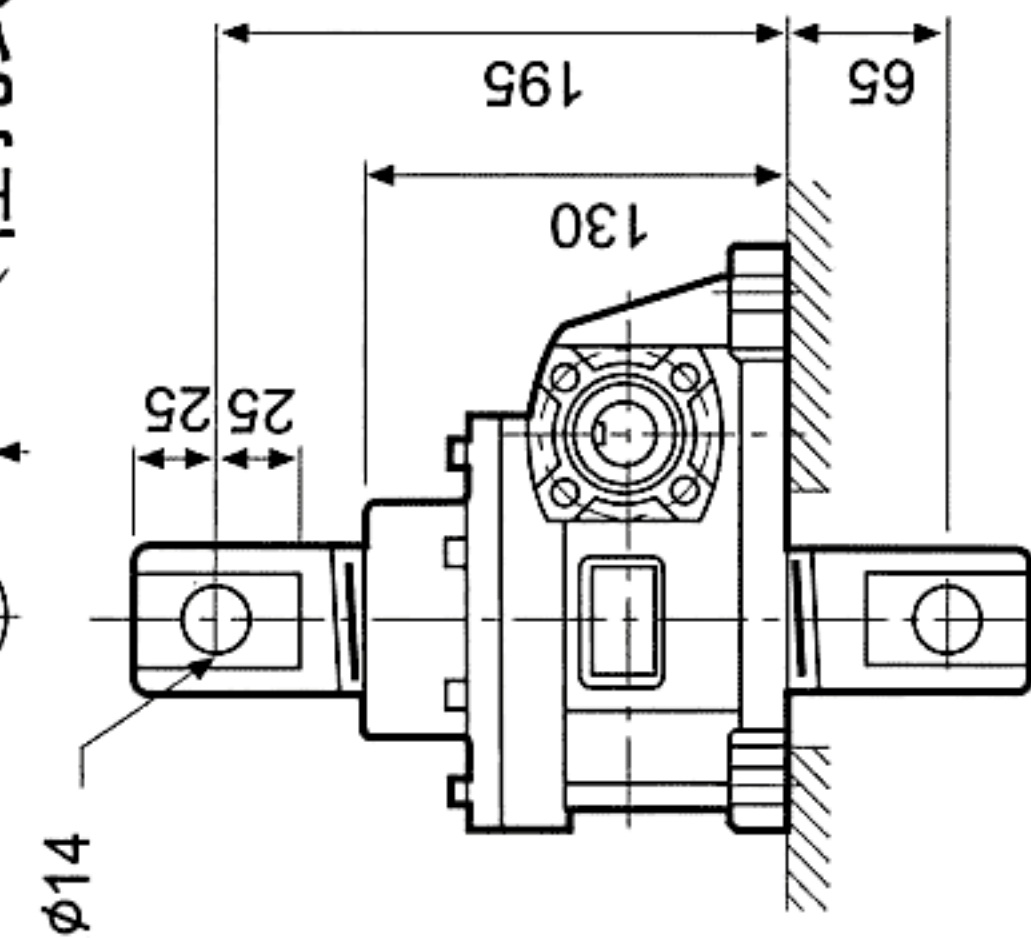
②直联式 Coupling input  
单入右侧 Right flange



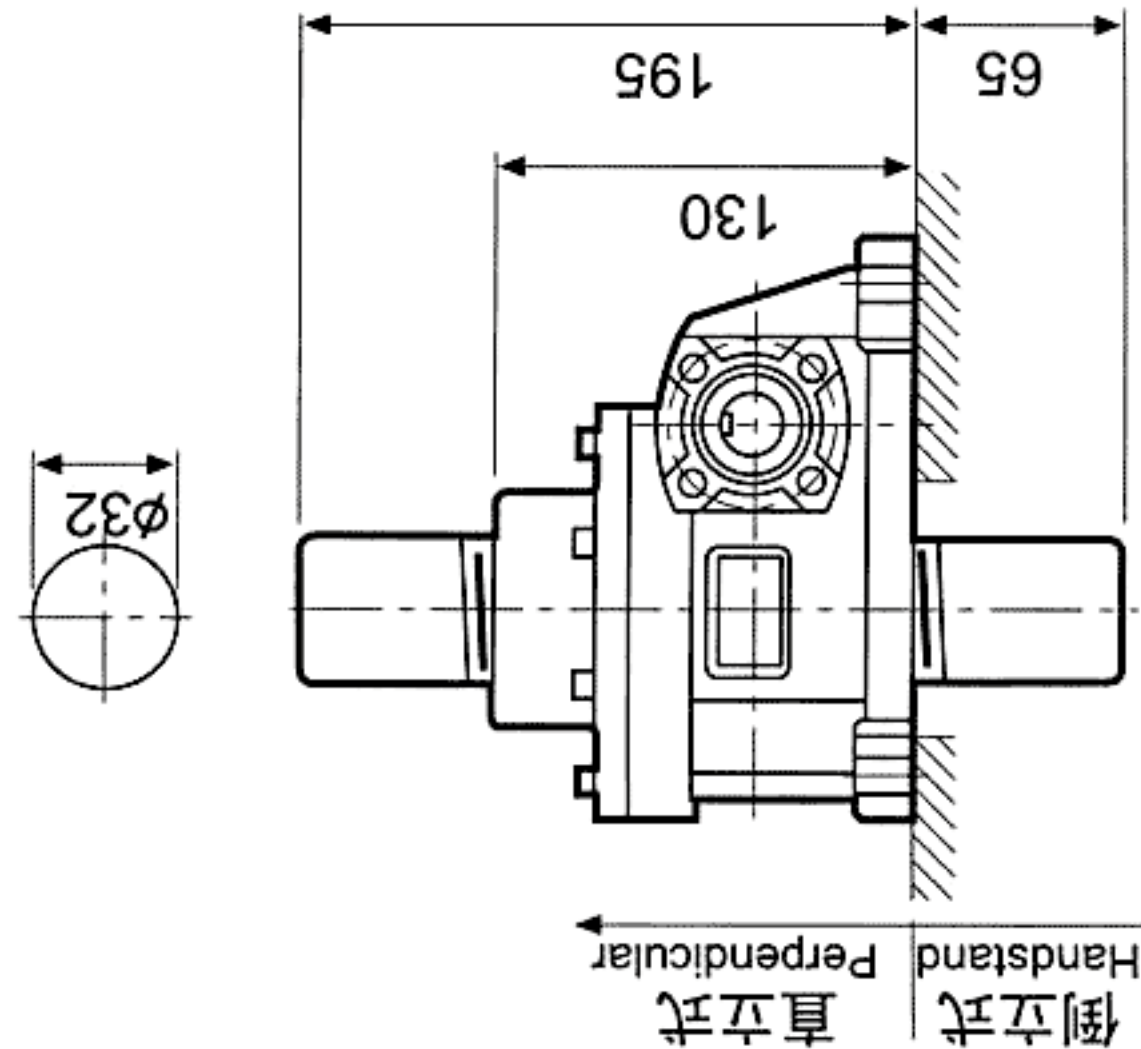
S型 (牙口式)  
S type (Face tooth)  
M22 x 2



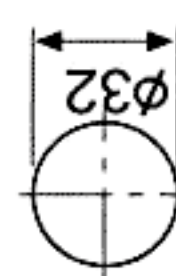
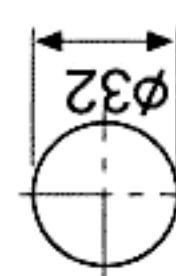
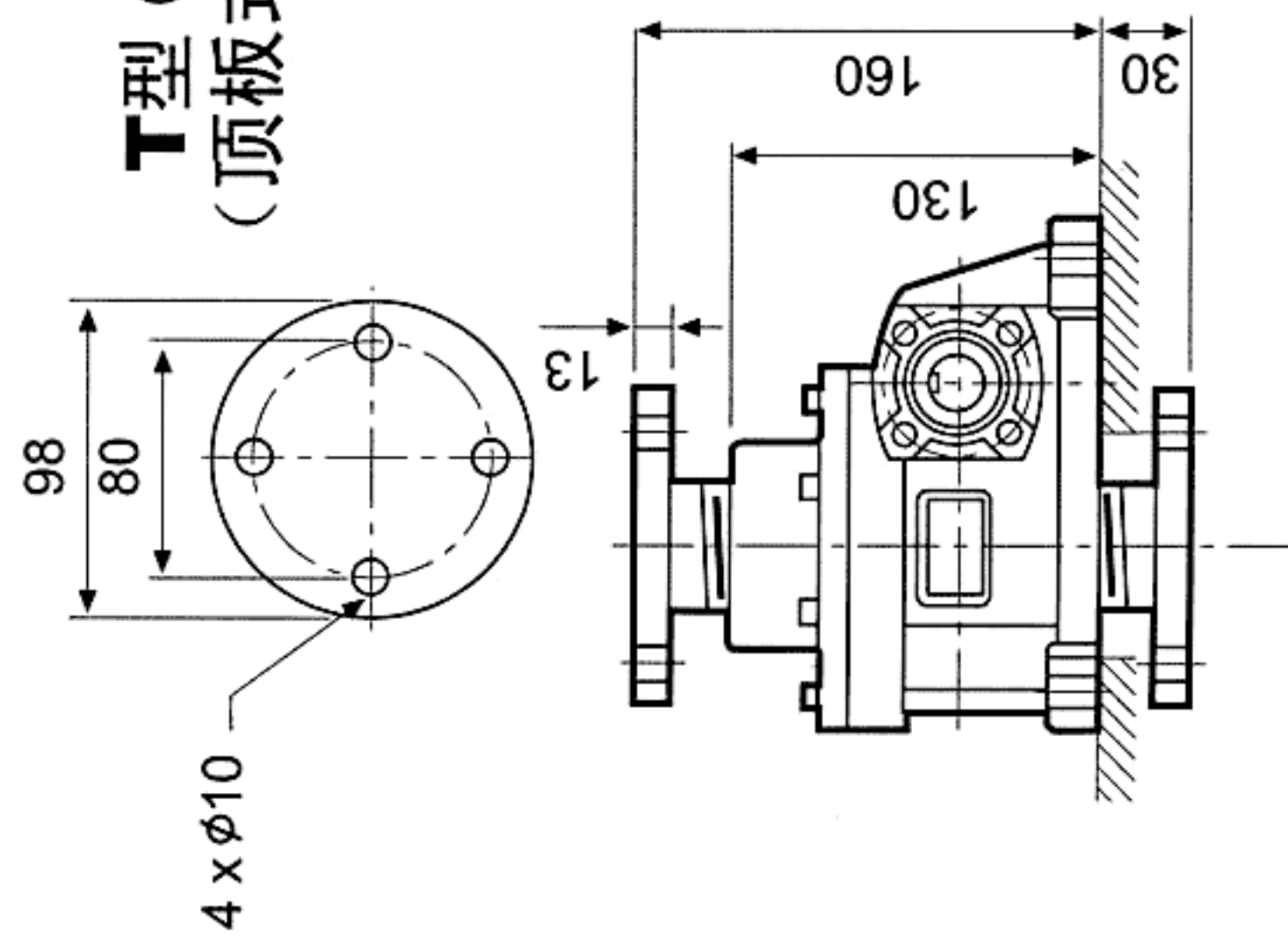
H型 (H type)  
(栓孔式 Keyhole)



R型 (平口式)  
R type (Plane)



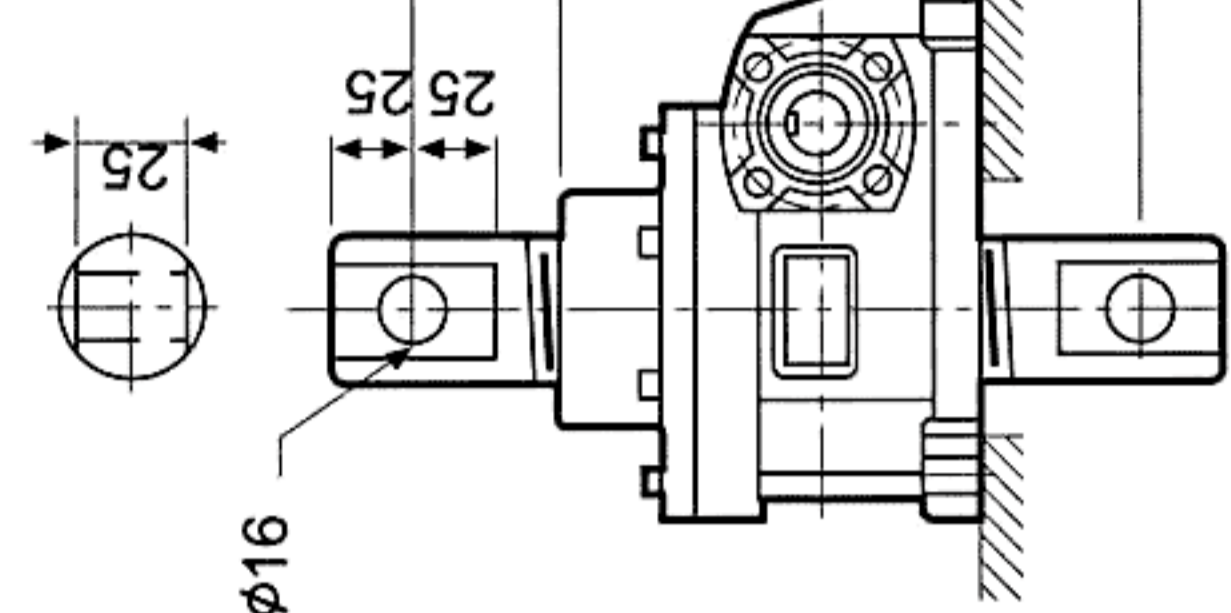
T型 (T type)  
(顶板式 Roof)



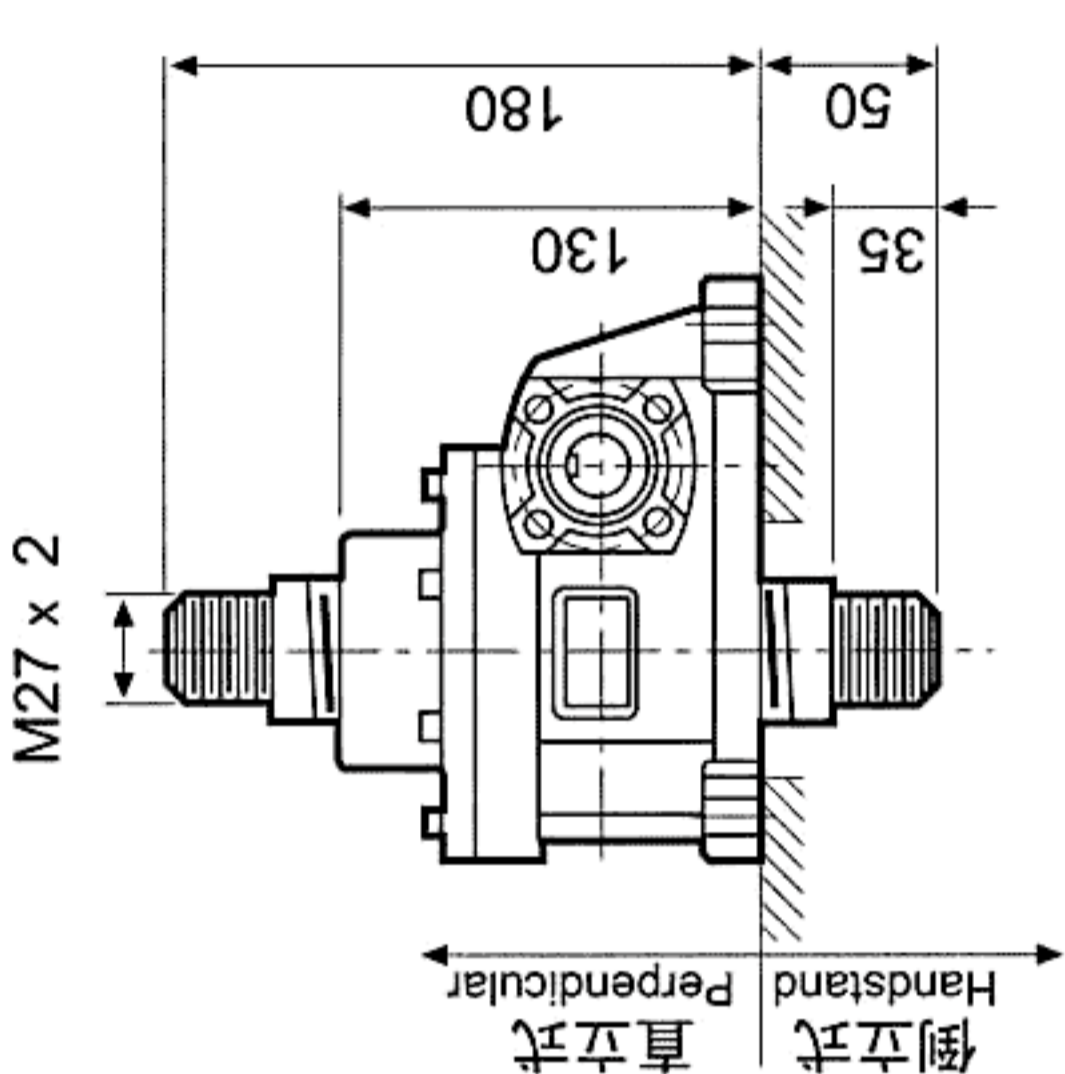
型号 Type	WSH-5T	减速比 Ratio	1/6 1/12 1/24	螺杆直径 Screw diameter	φ38h9	螺杆螺距 Distance screw-eye	P=6
------------	--------	--------------	---------------	------------------------	-------	----------------------------	-----

杆端型式及最短距离关系尺寸  
Screw type & minimum allowable distance

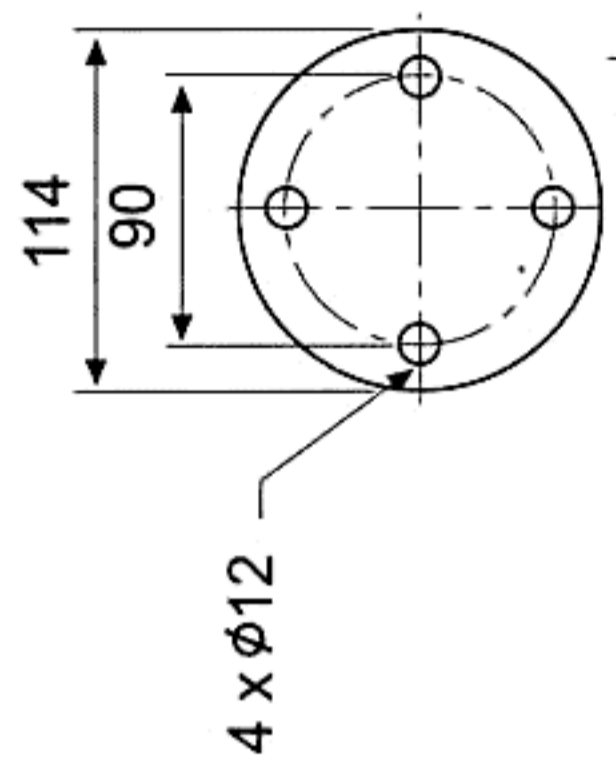
**H型 (H type)**  
(栓孔式 Keyhole)



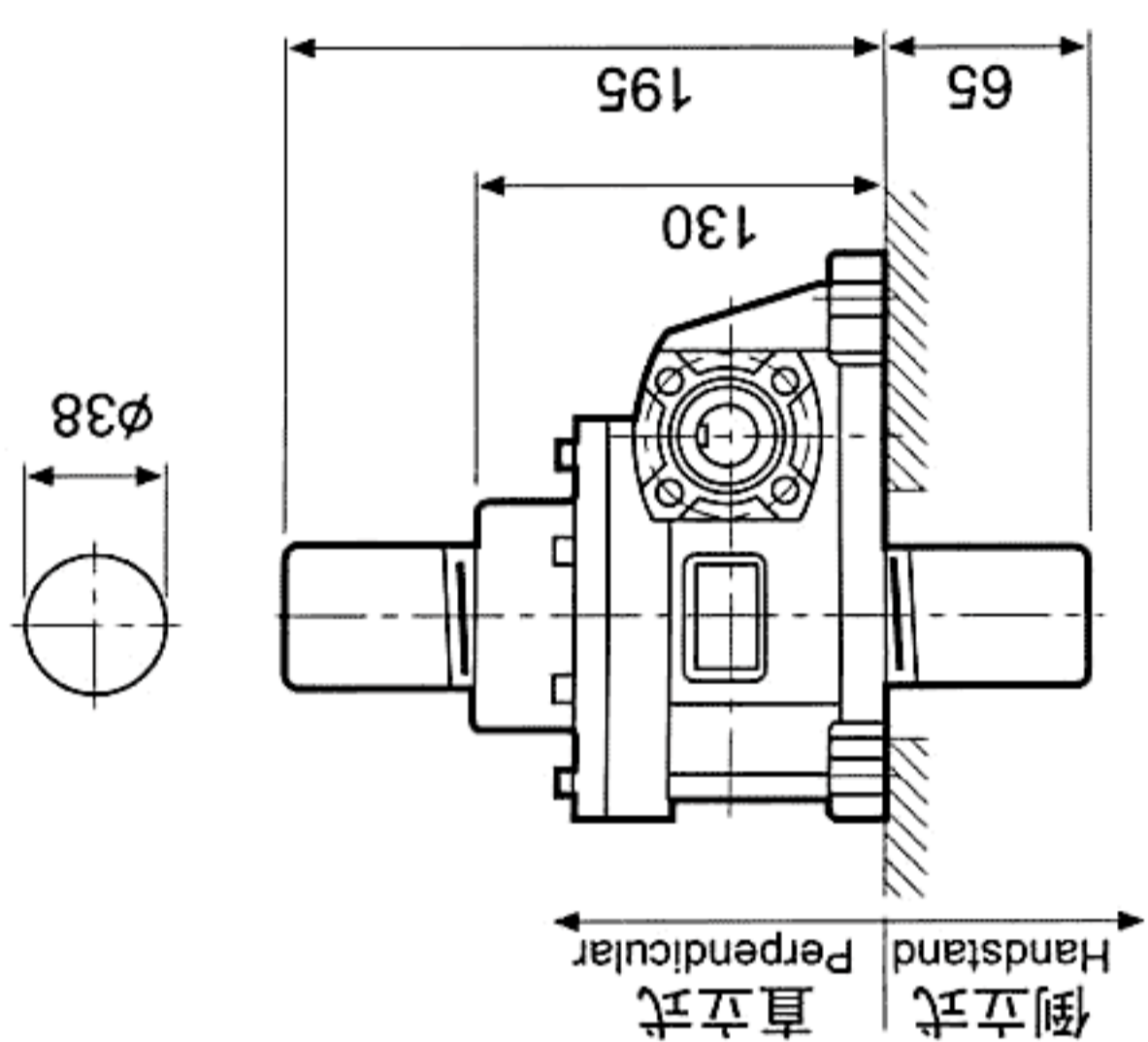
**S型 (牙口式)**  
S type (Face tooth)  
M27 x 2



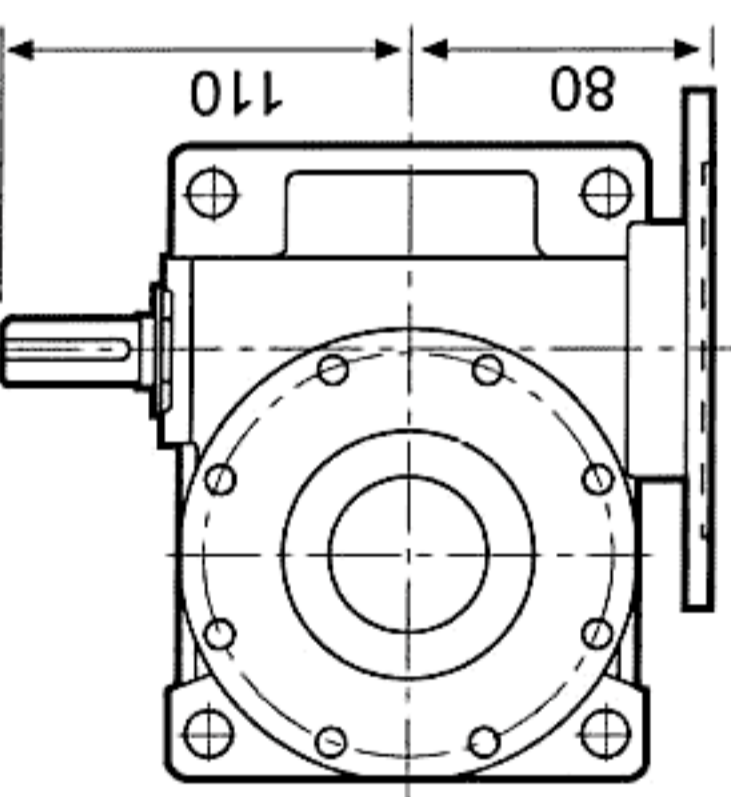
**T型 (T type)**  
(顶板式 Roof)



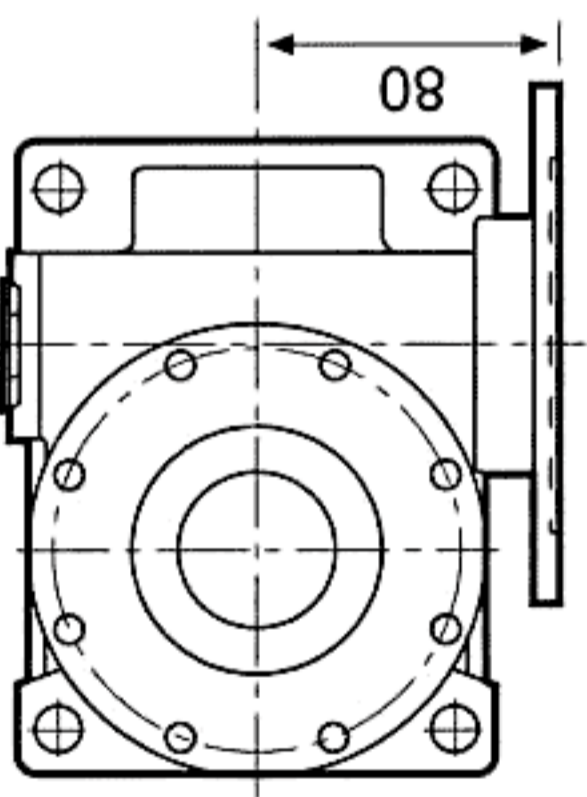
**R型 (平口式)**  
R type (Plane)



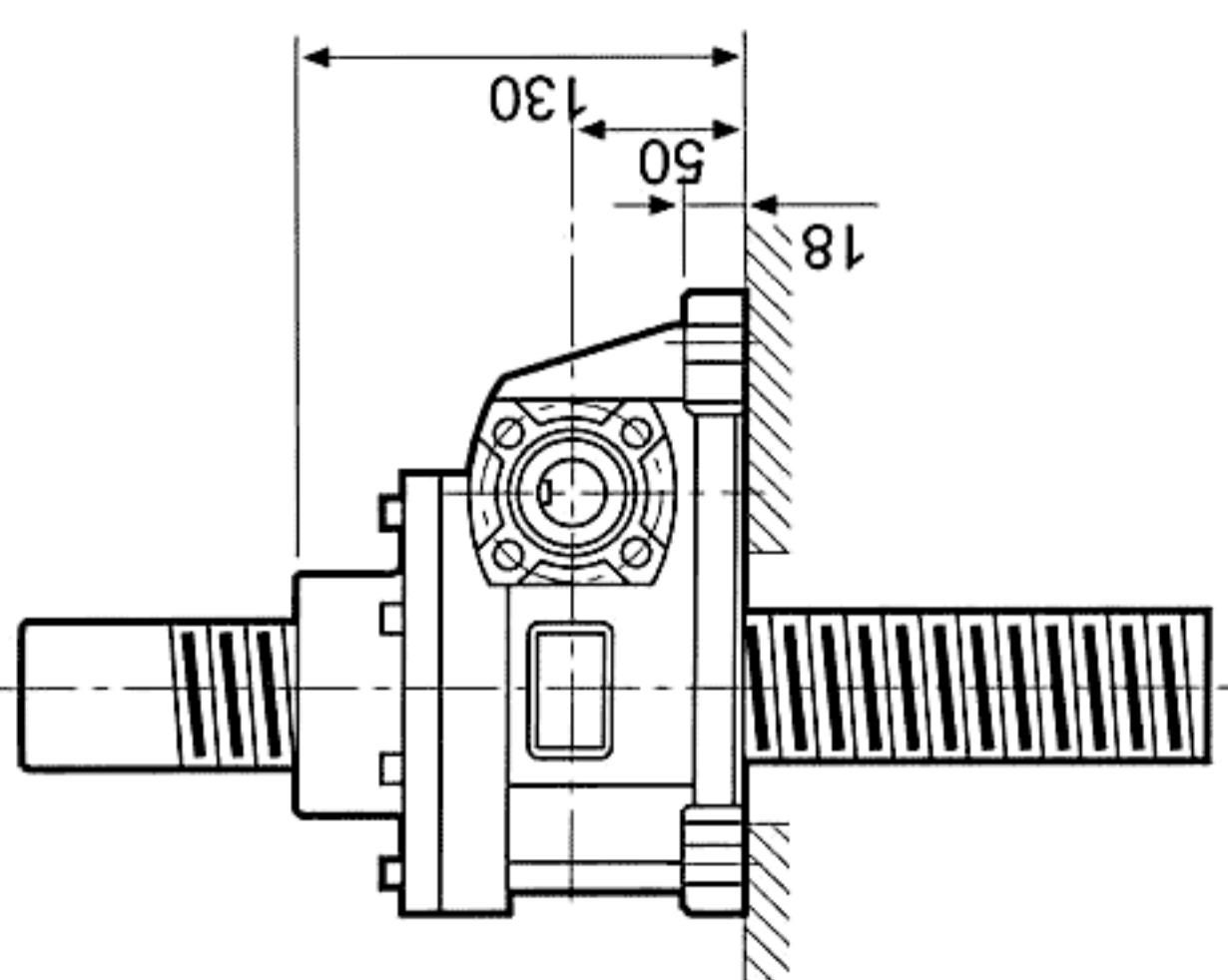
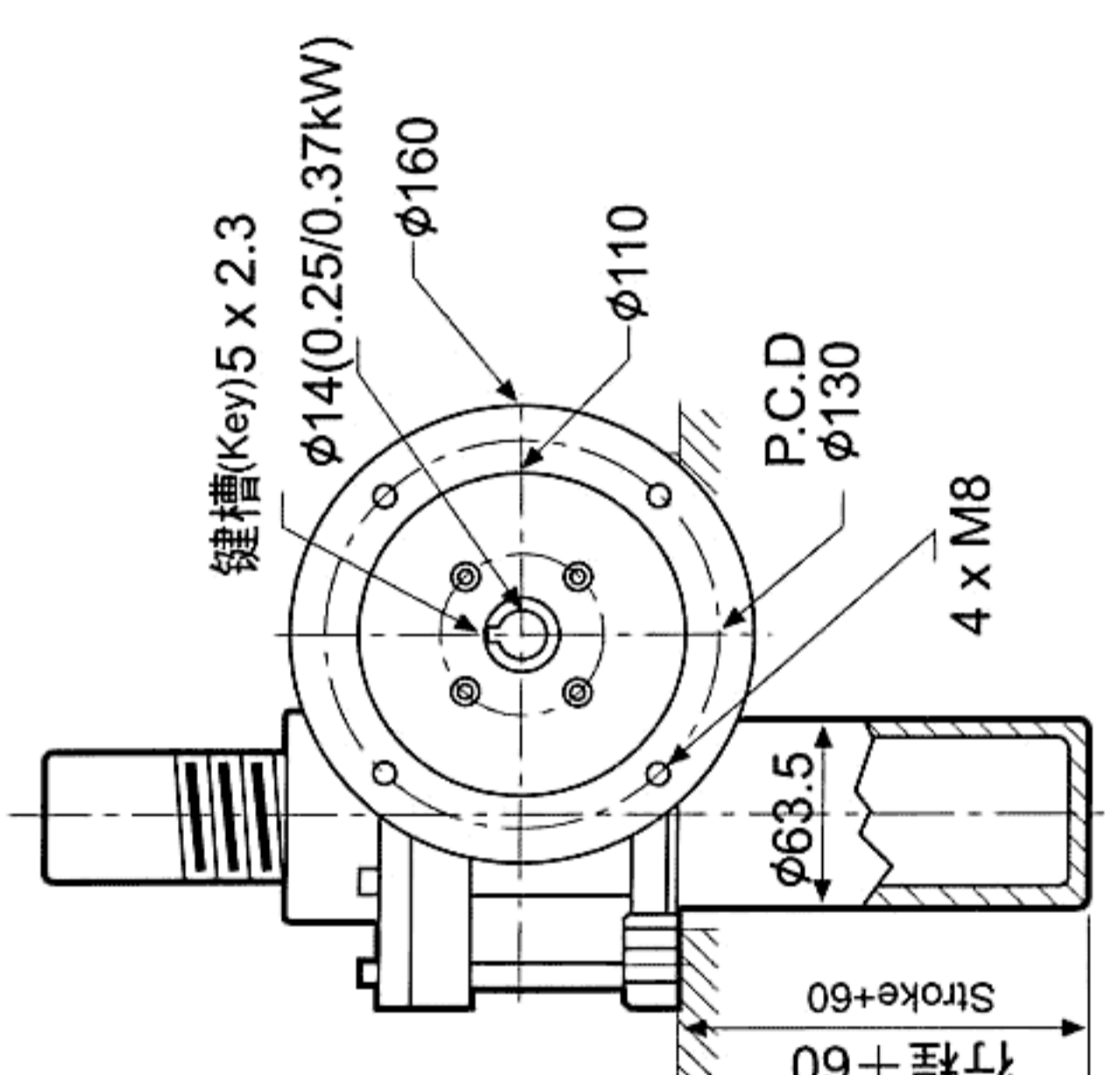
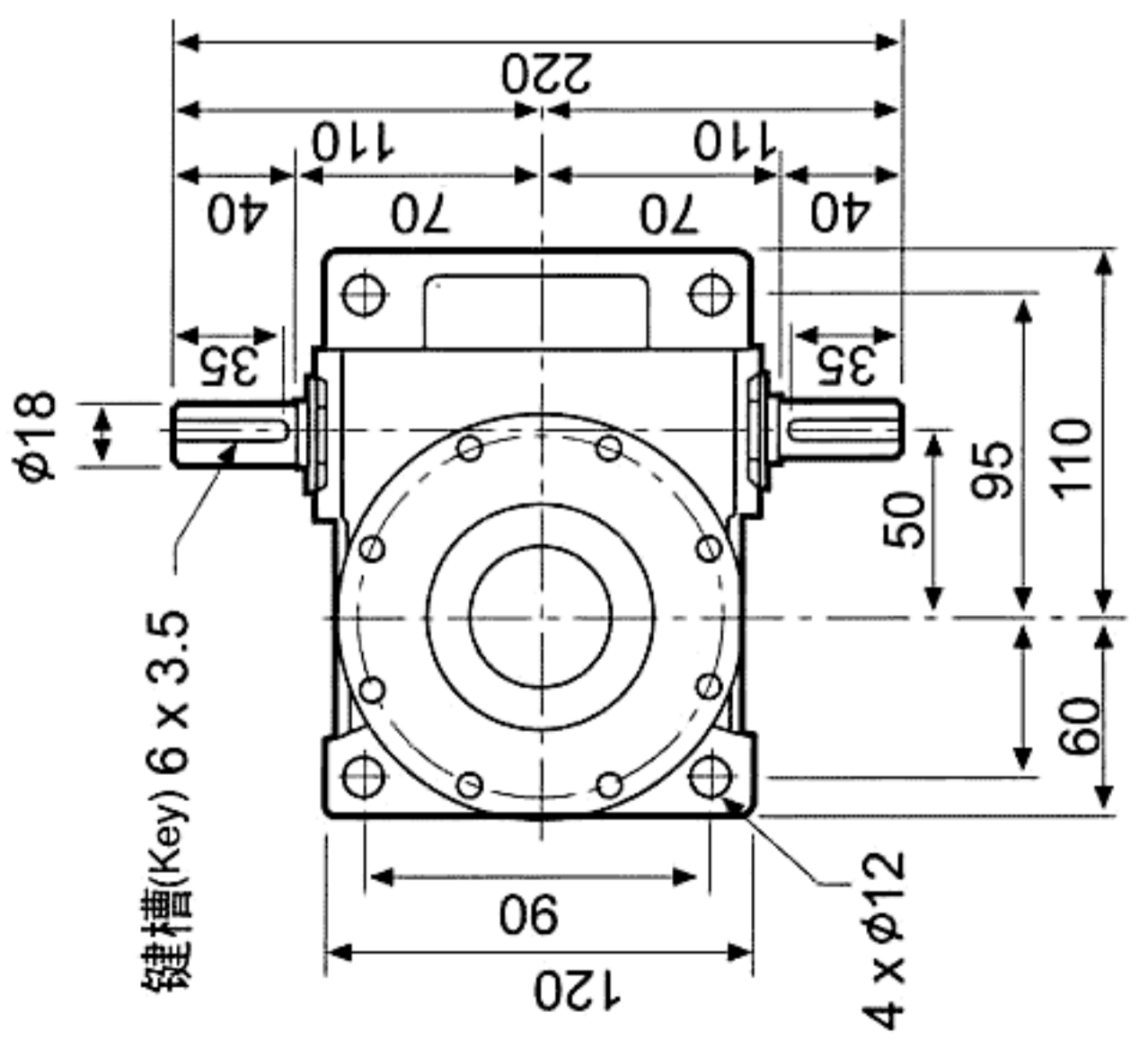
①直联式 Coupling input  
双入右侧 Right flange & left shaft



②直联式 Coupling input  
单入右侧 Right flange



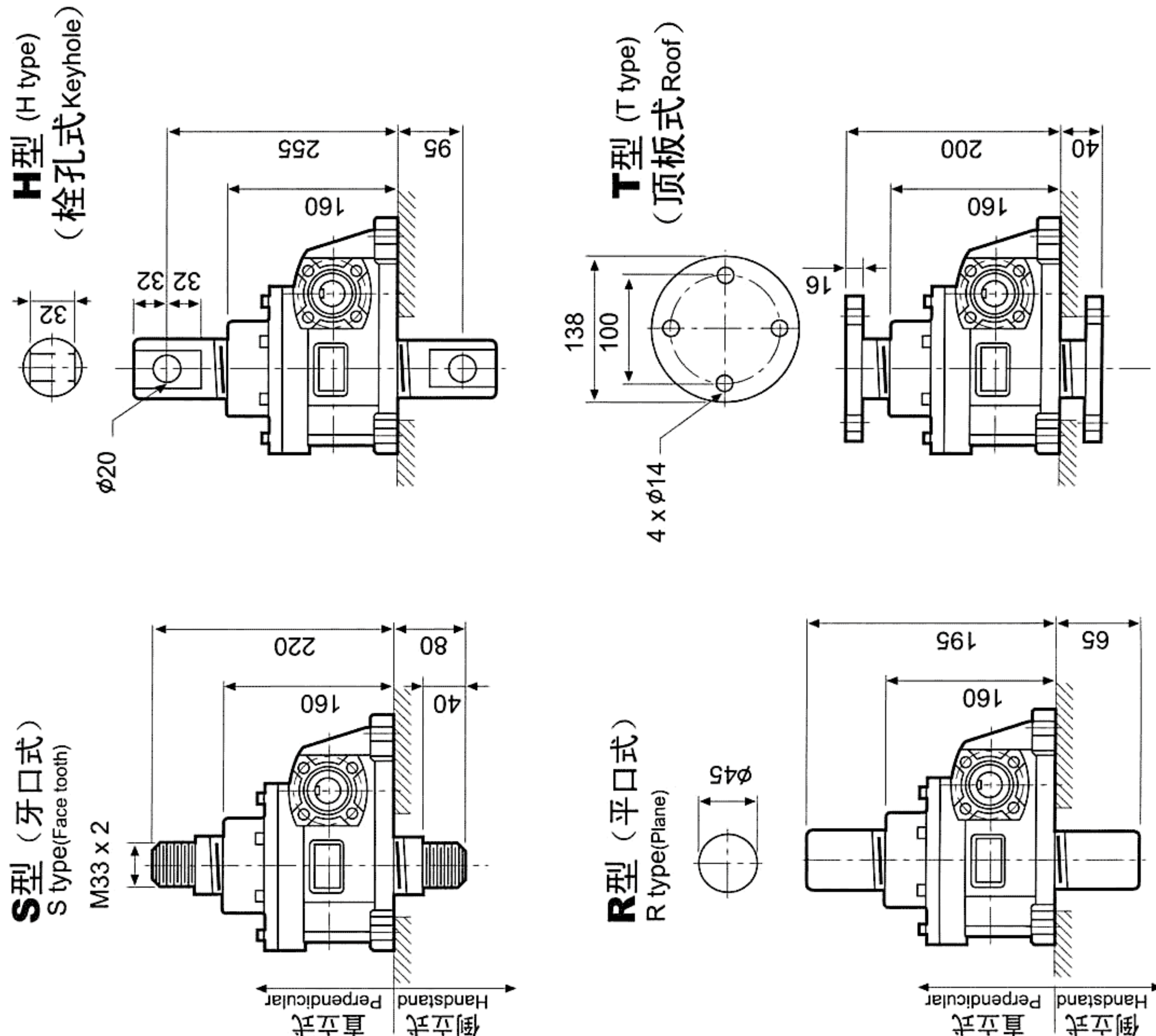
双入力 (标准型)  
Double-shaft input (standard)



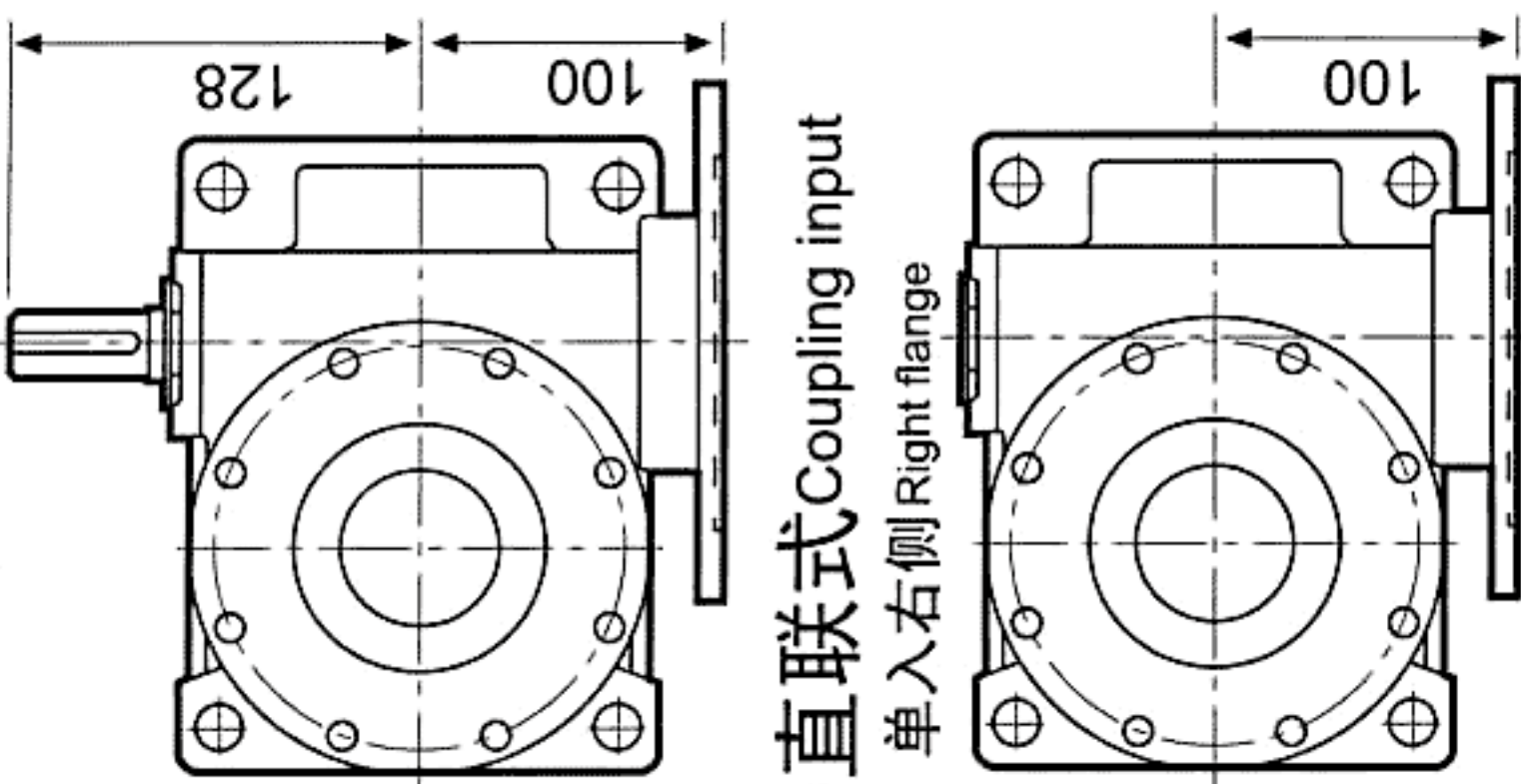


型号 Type	WSH-10T	减速比 Ratio	1/8 1/16 1/32	螺杆直径 Screw diameter	φ45h9	螺杆螺距 Distance screw-eye	P=8
------------	---------	--------------	---------------	------------------------	-------	----------------------------	-----

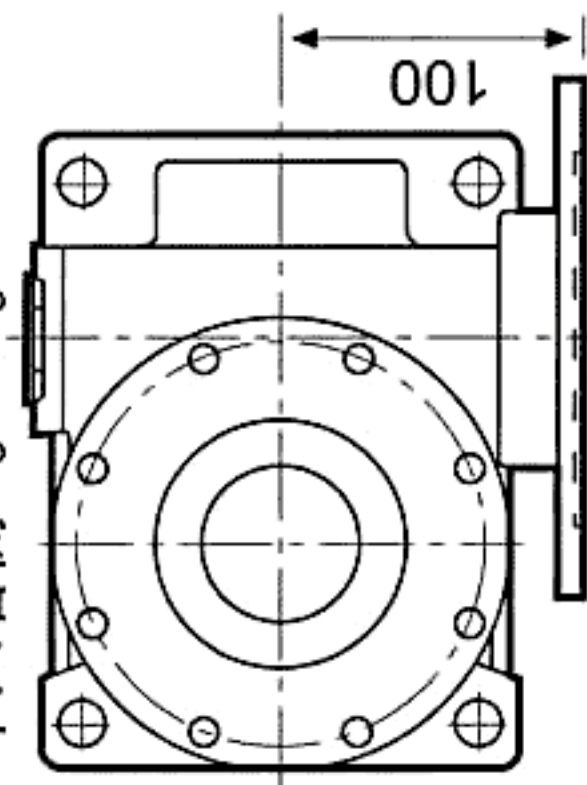
杆端型式及最短距离关系尺寸  
Screw type & minimum allowable distance



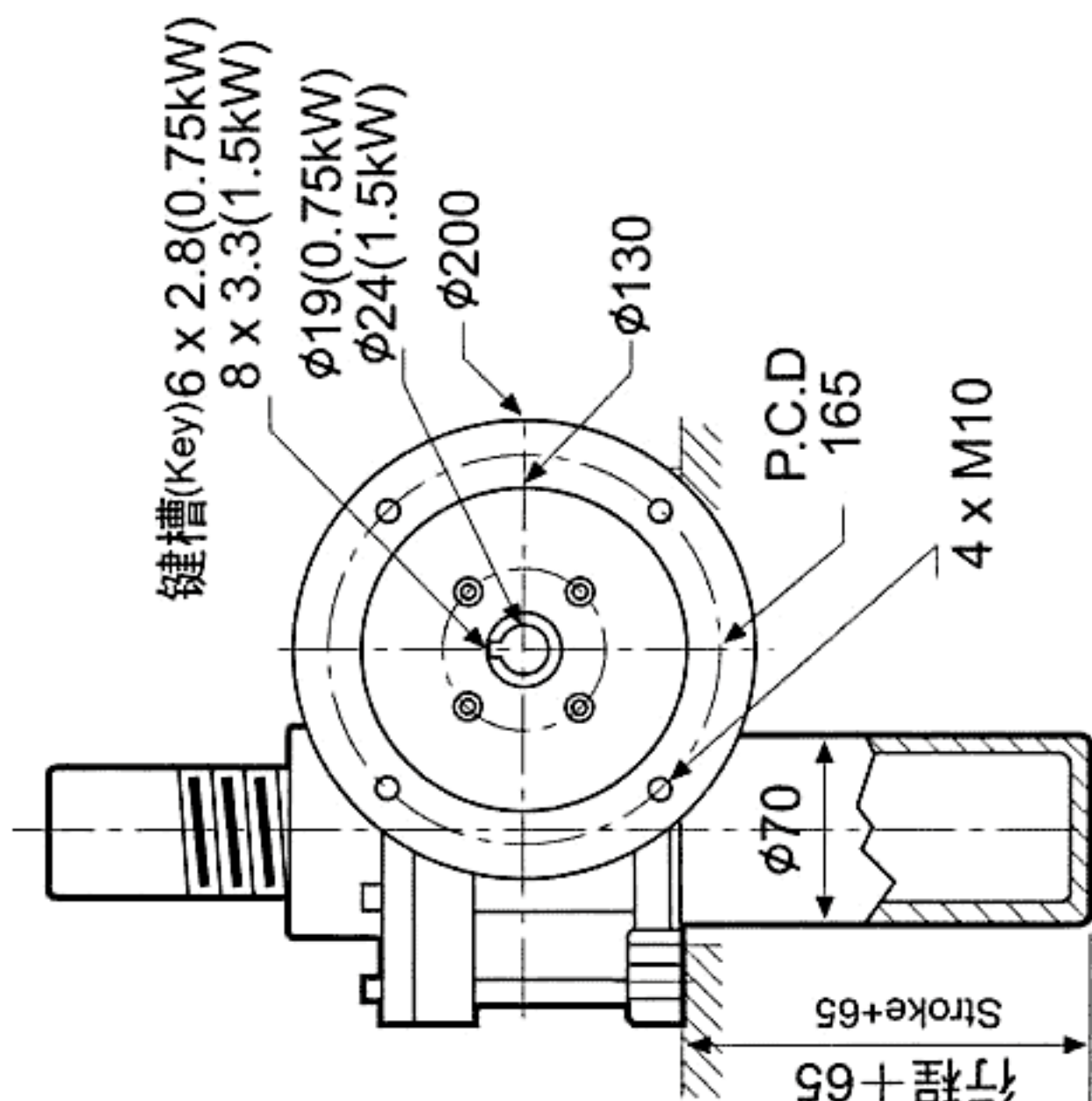
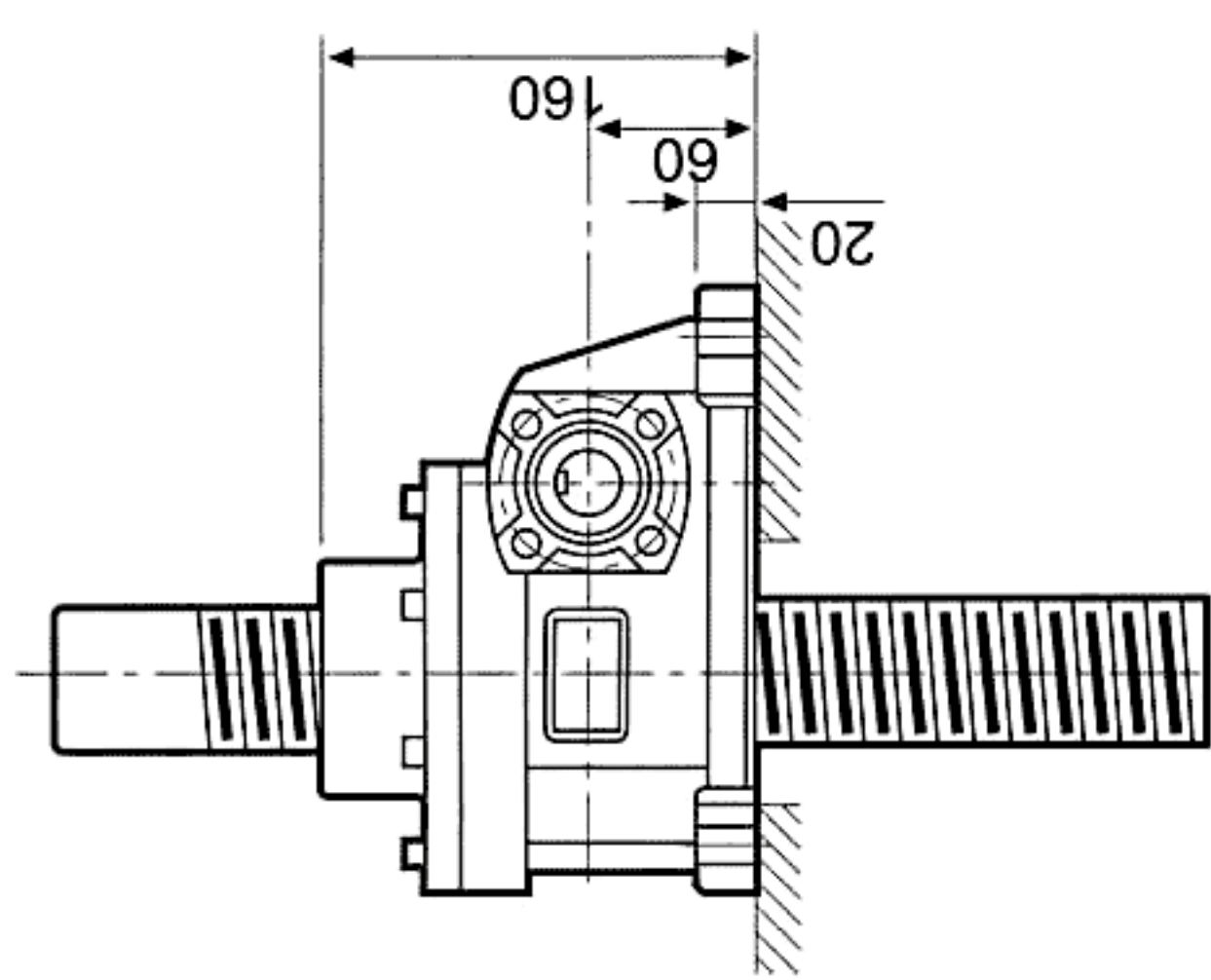
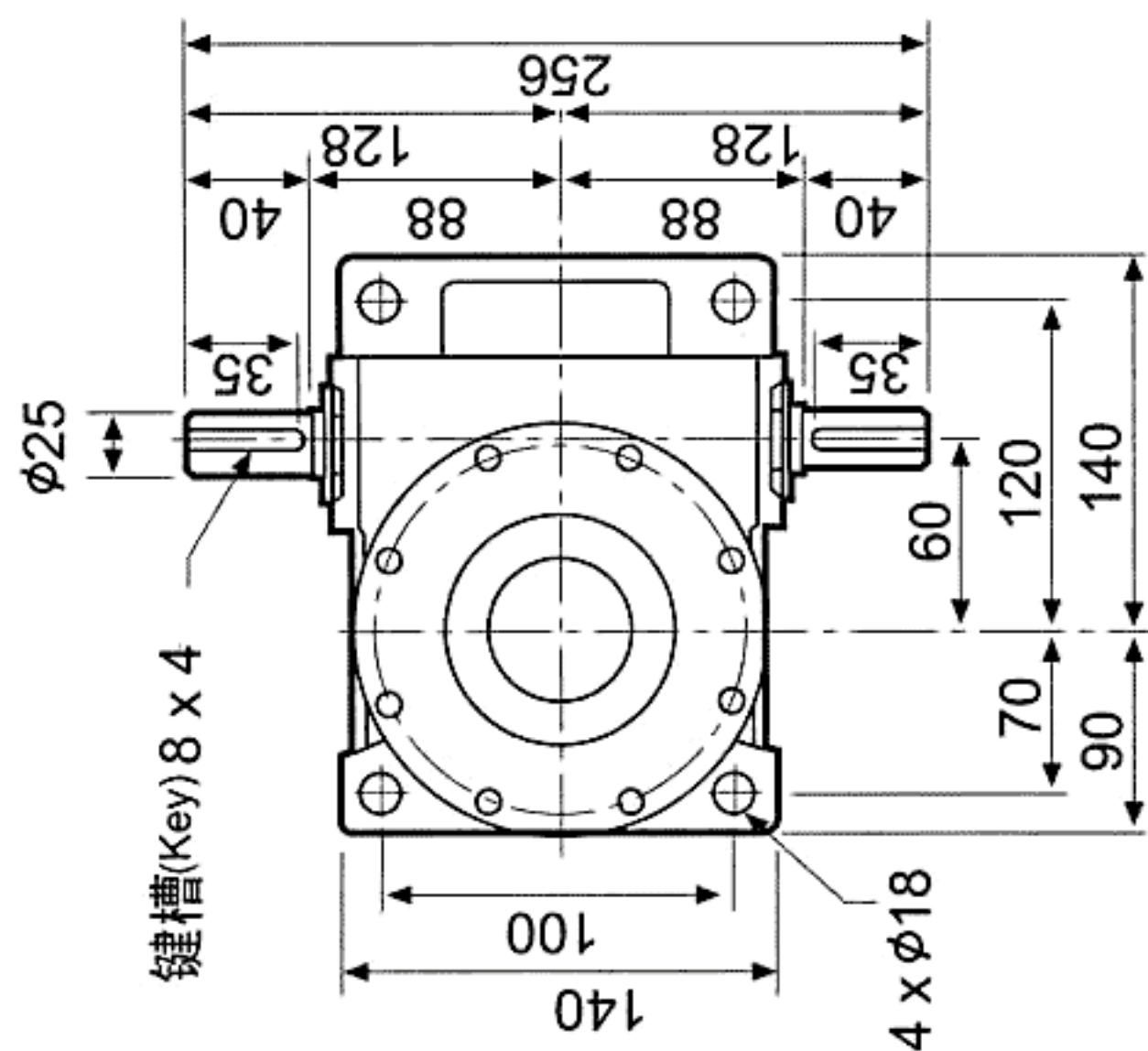
①直联式 Coupling input  
双入右侧 Right flange & left shaft



②直联式 Coupling input  
单入右侧 Right flange

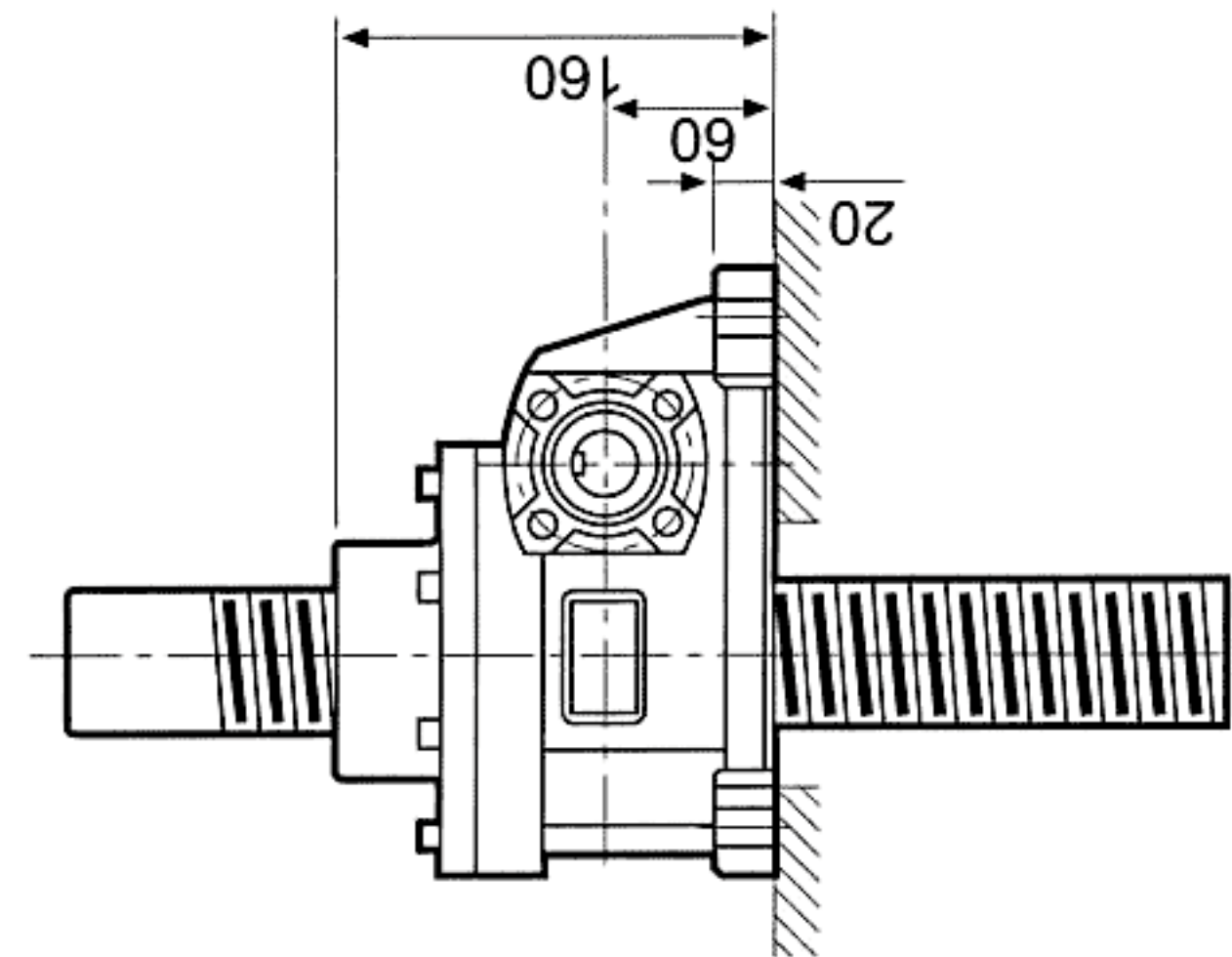
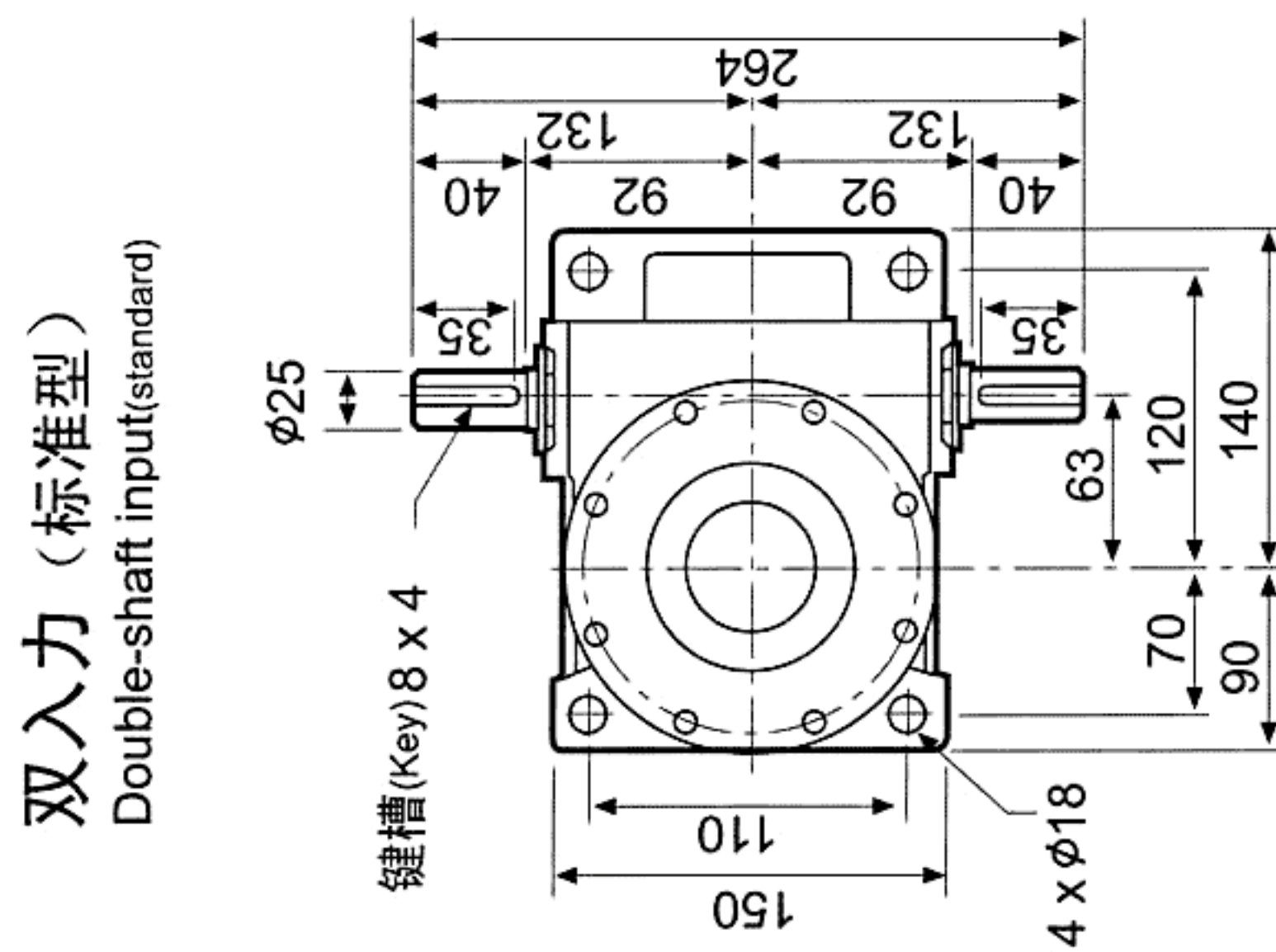
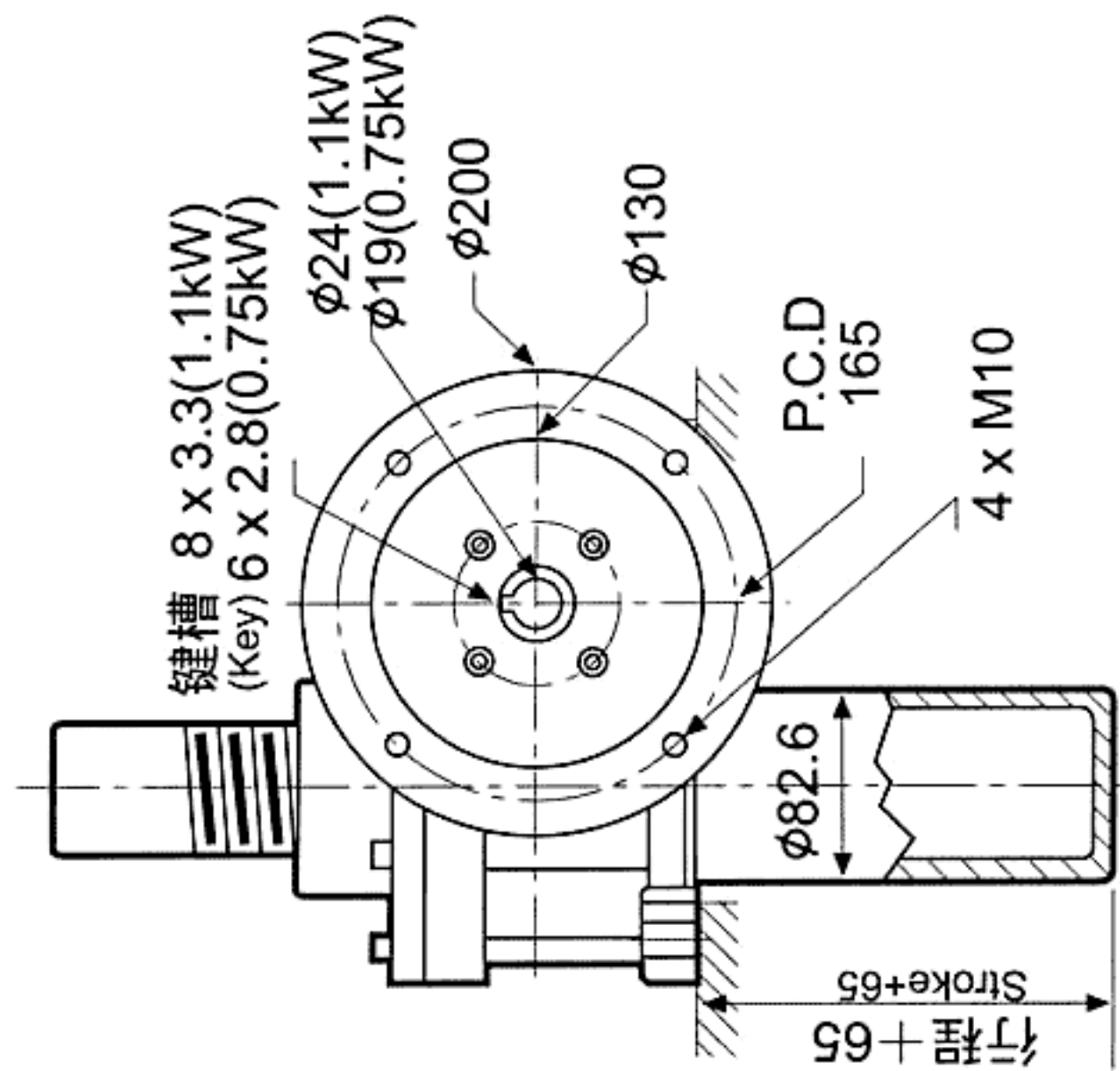
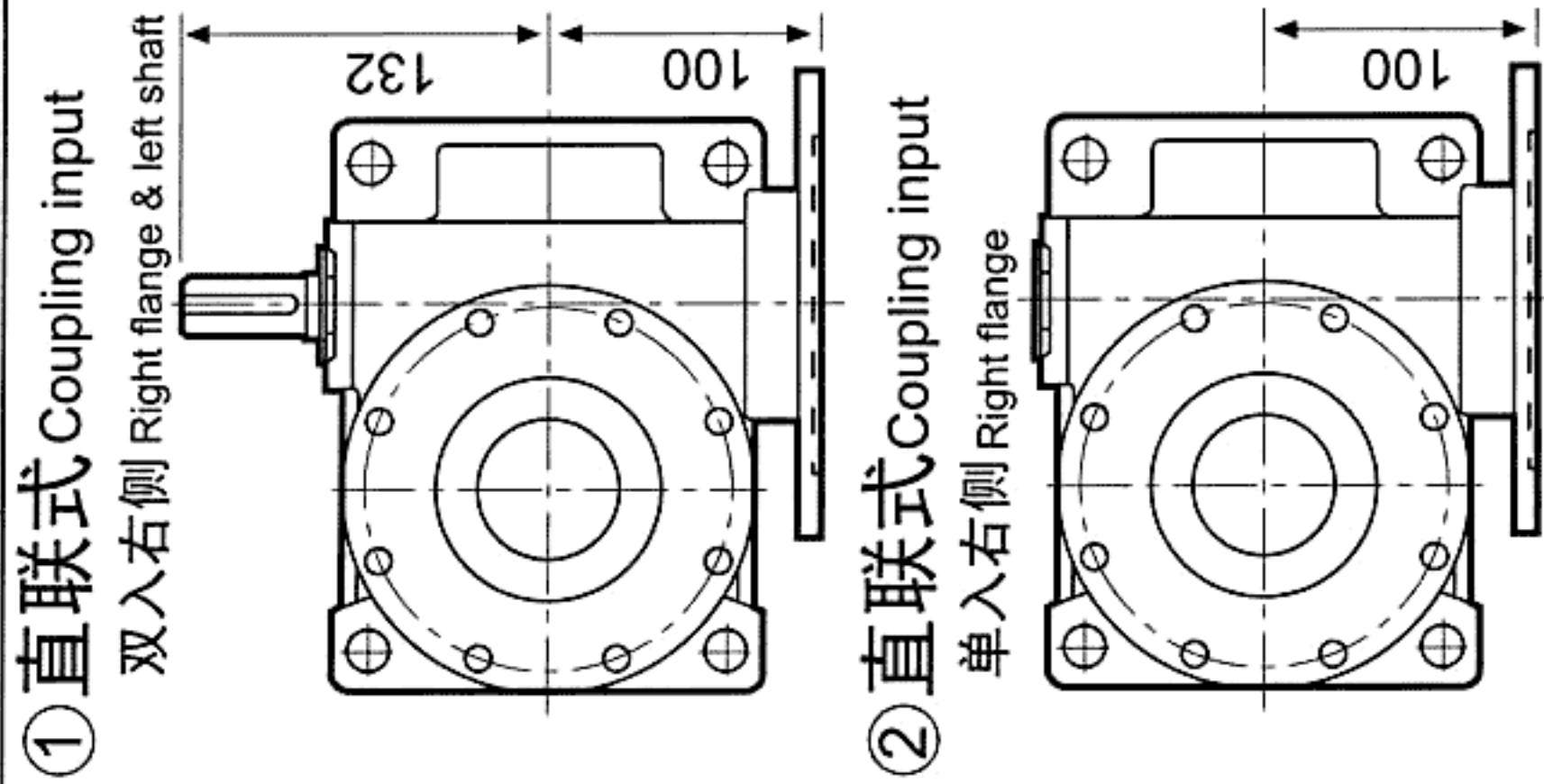
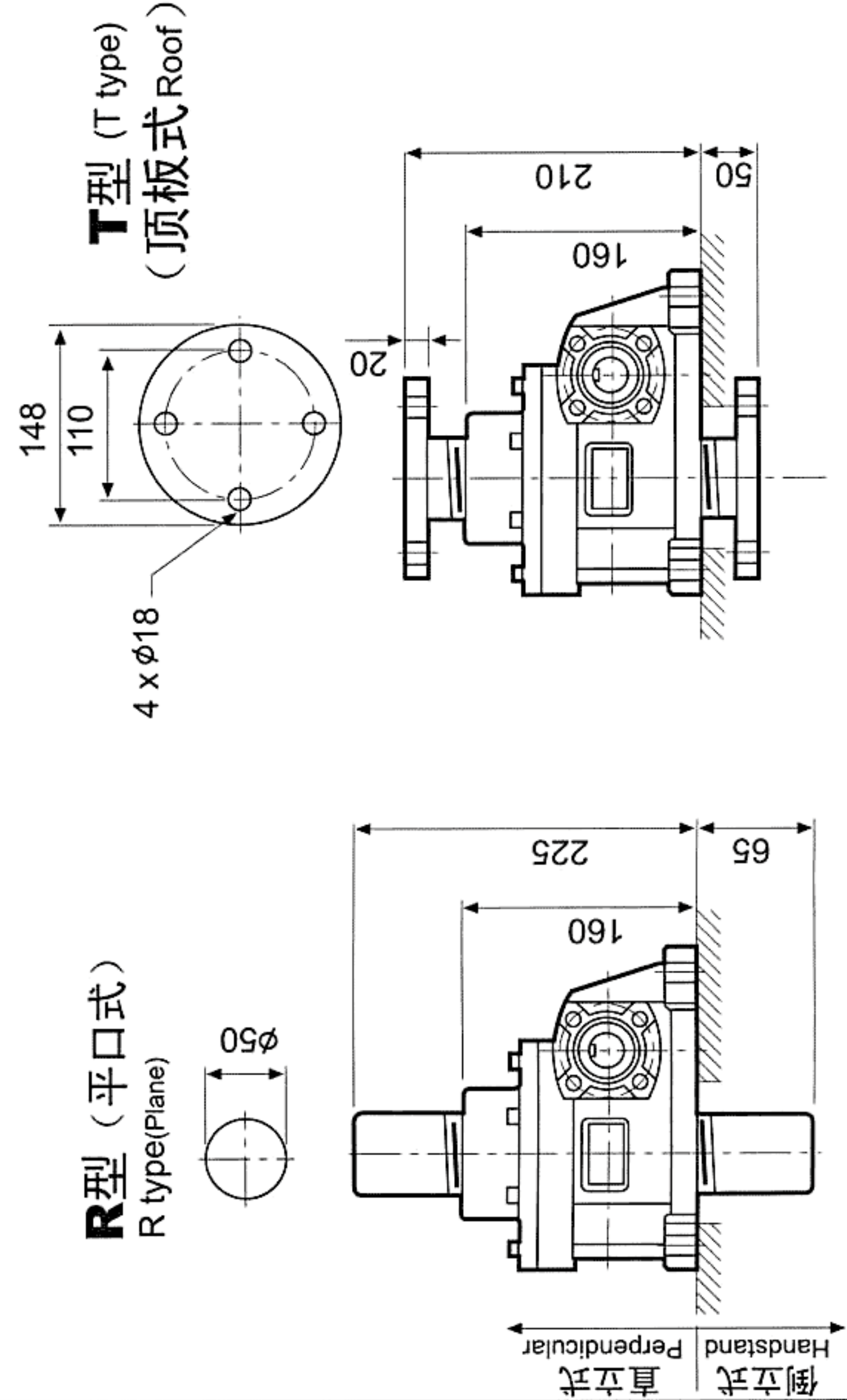
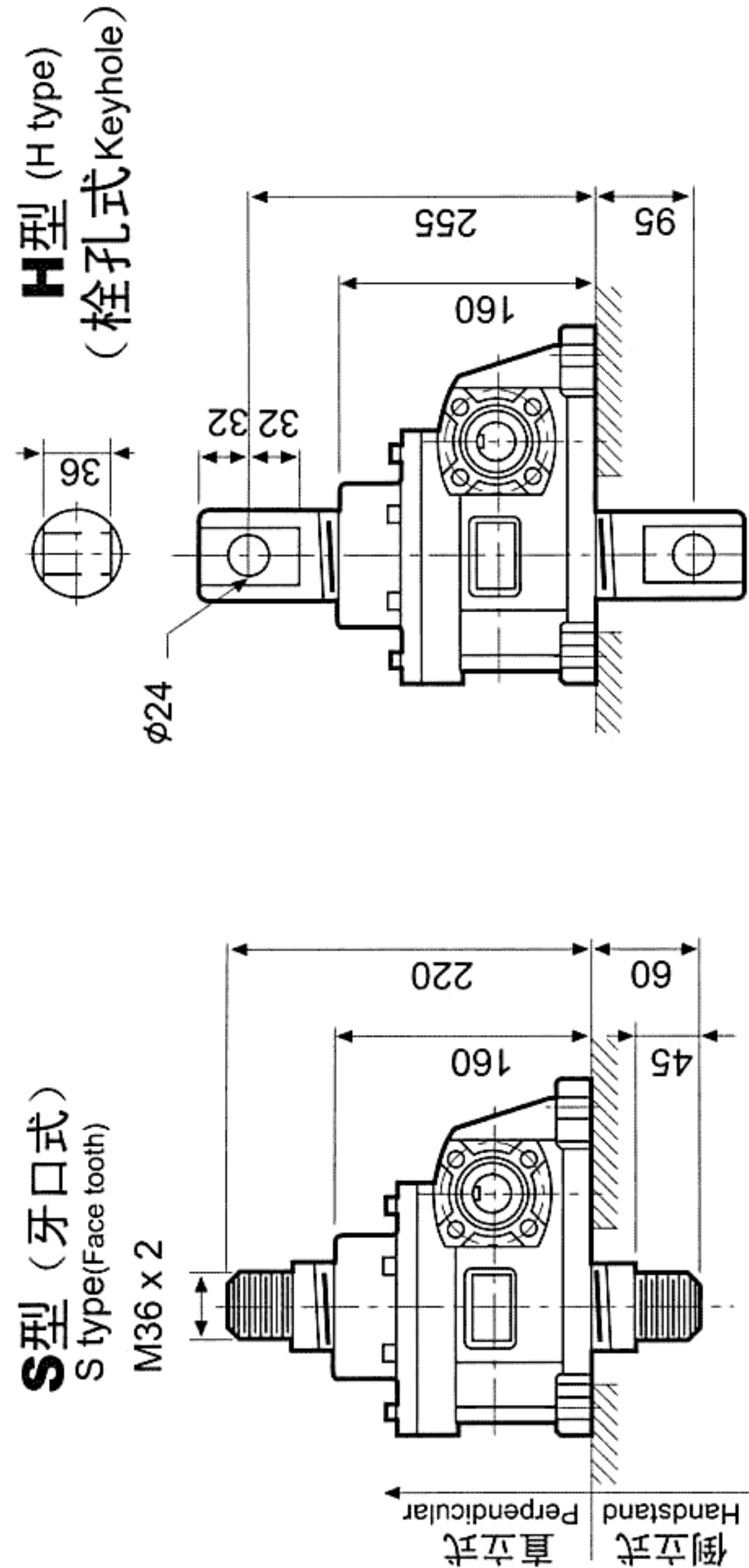


双入力 (标准型)  
Double-shaft input (standard)



型号 Type	WSH-15T	减速比 Ratio	1/8 1/16 1/32	螺杆直径 Screw diameter	φ50h9	螺杆螺距 Distance screw-eye	P=8
------------	---------	--------------	---------------	------------------------	-------	----------------------------	-----

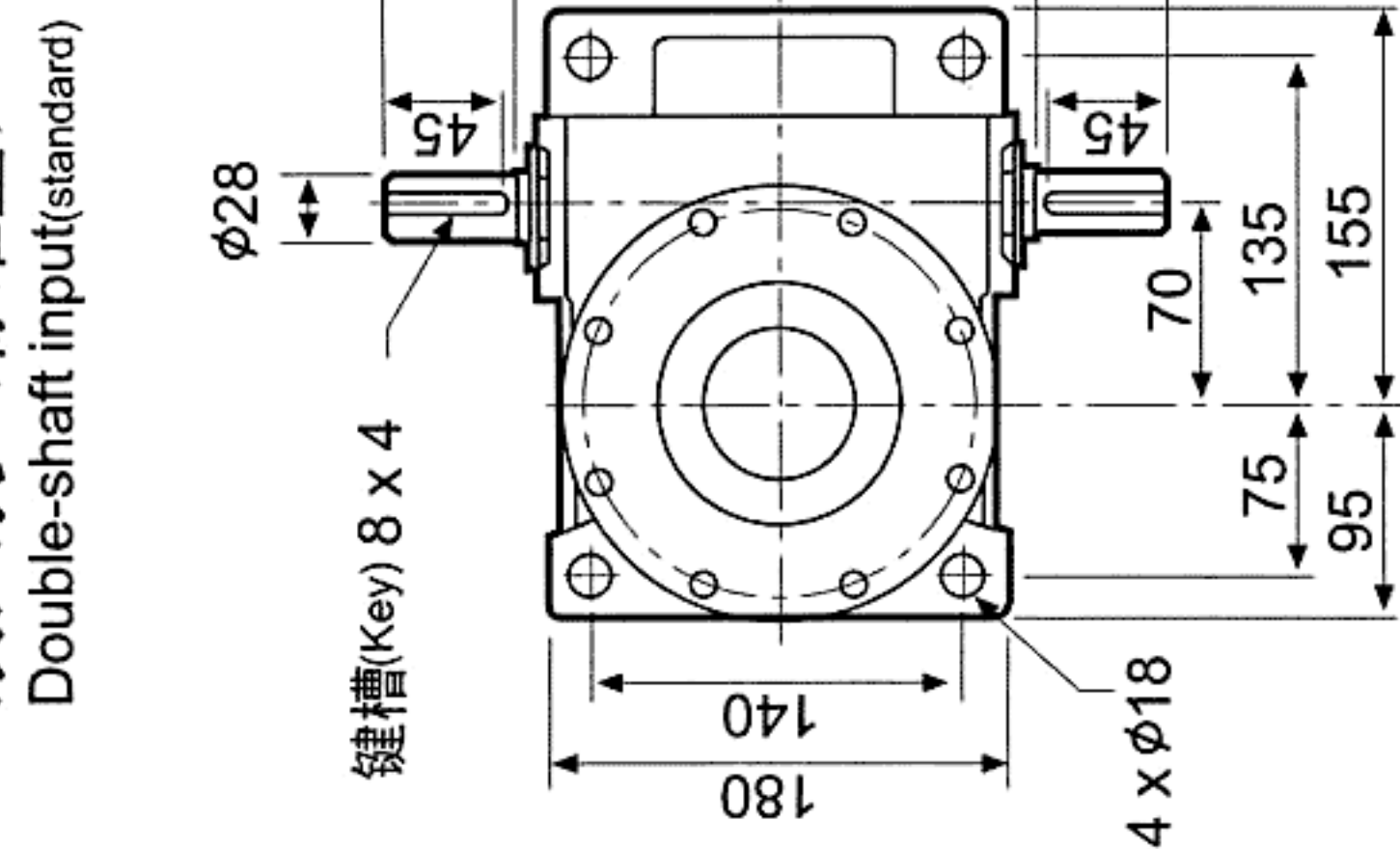
杆端型式及最短距离关系尺寸  
Screw type & minimum allowable distance



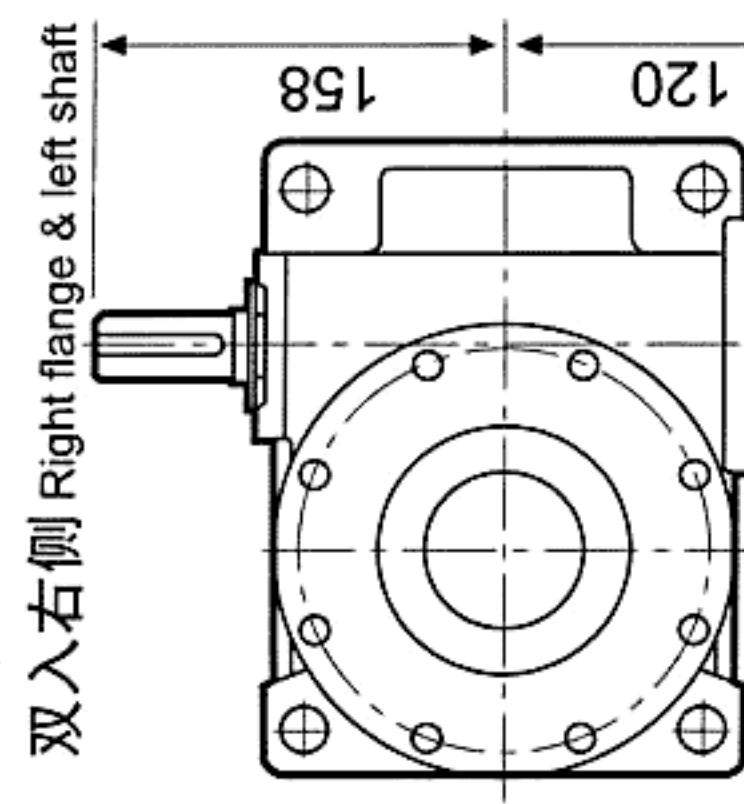
型号 Type	WSH-20T	减速比 Ratio	1/10 1/20 1/40	螺杆直径 Screw diameter	φ65h9	螺杆螺距 Distance screw-eye	P=10
------------	---------	--------------	----------------	------------------------	-------	----------------------------	------

杆端型式及最短距离关系尺寸  
Screw type & minimum allowable distance

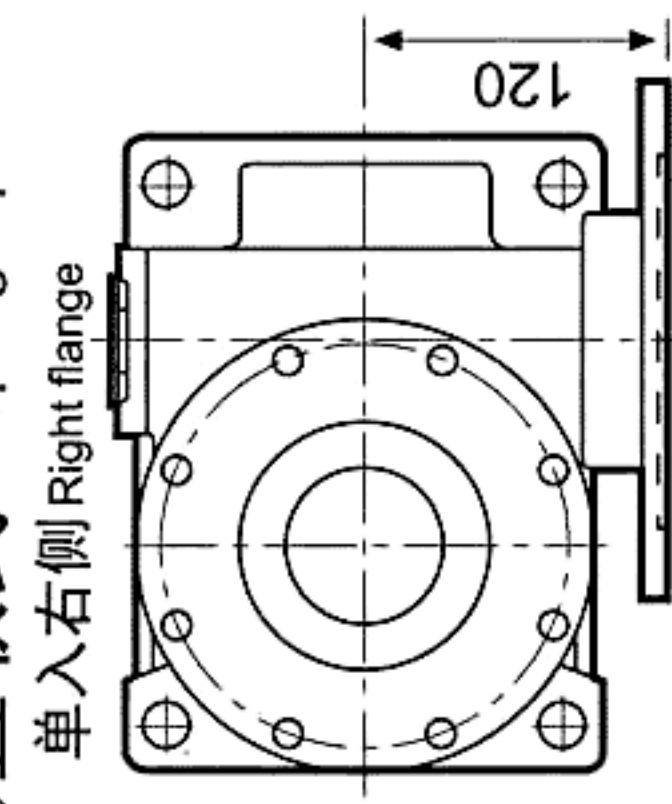
双入力 (标准型)  
Double-shaft input(standard)



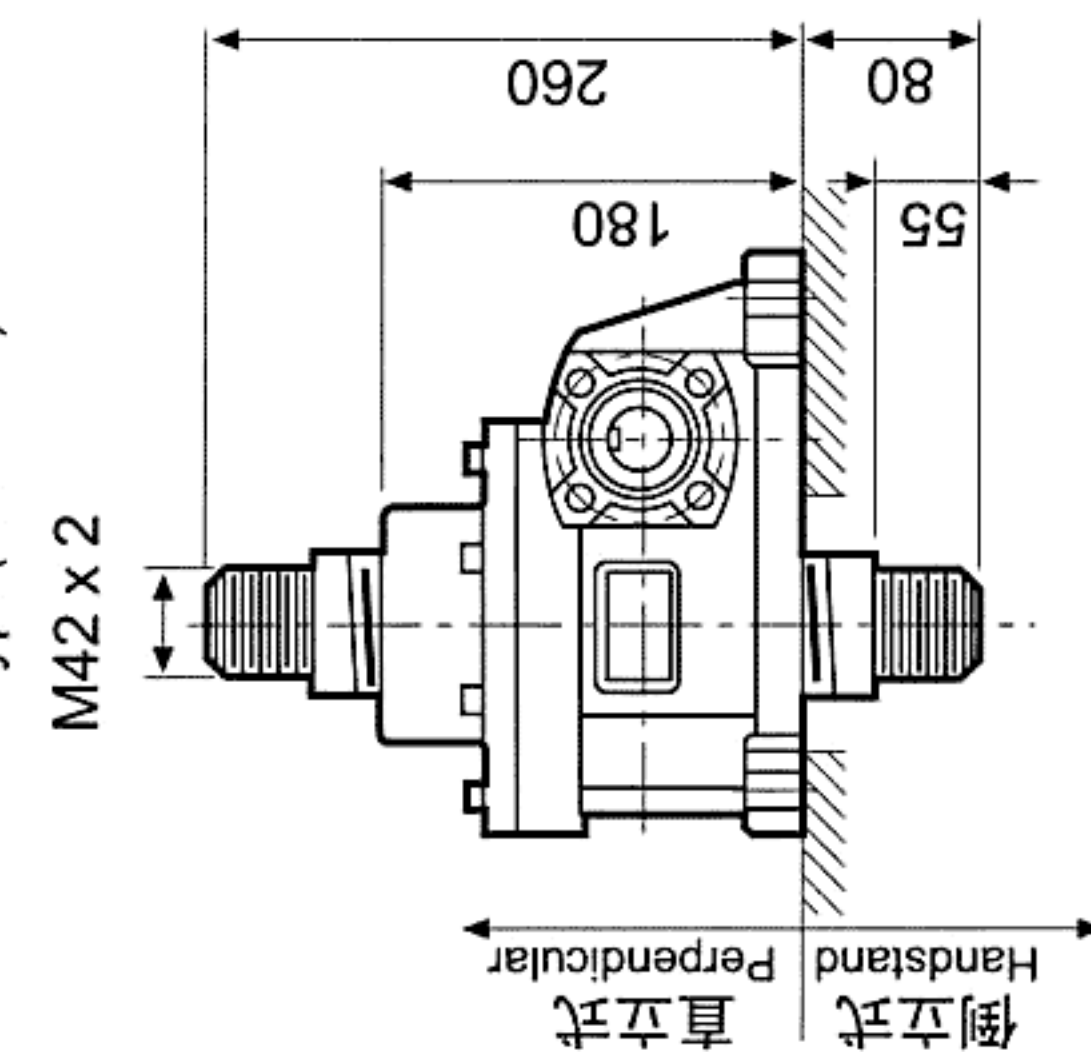
①直联式 Coupling input  
双入右侧 Right flange & left shaft



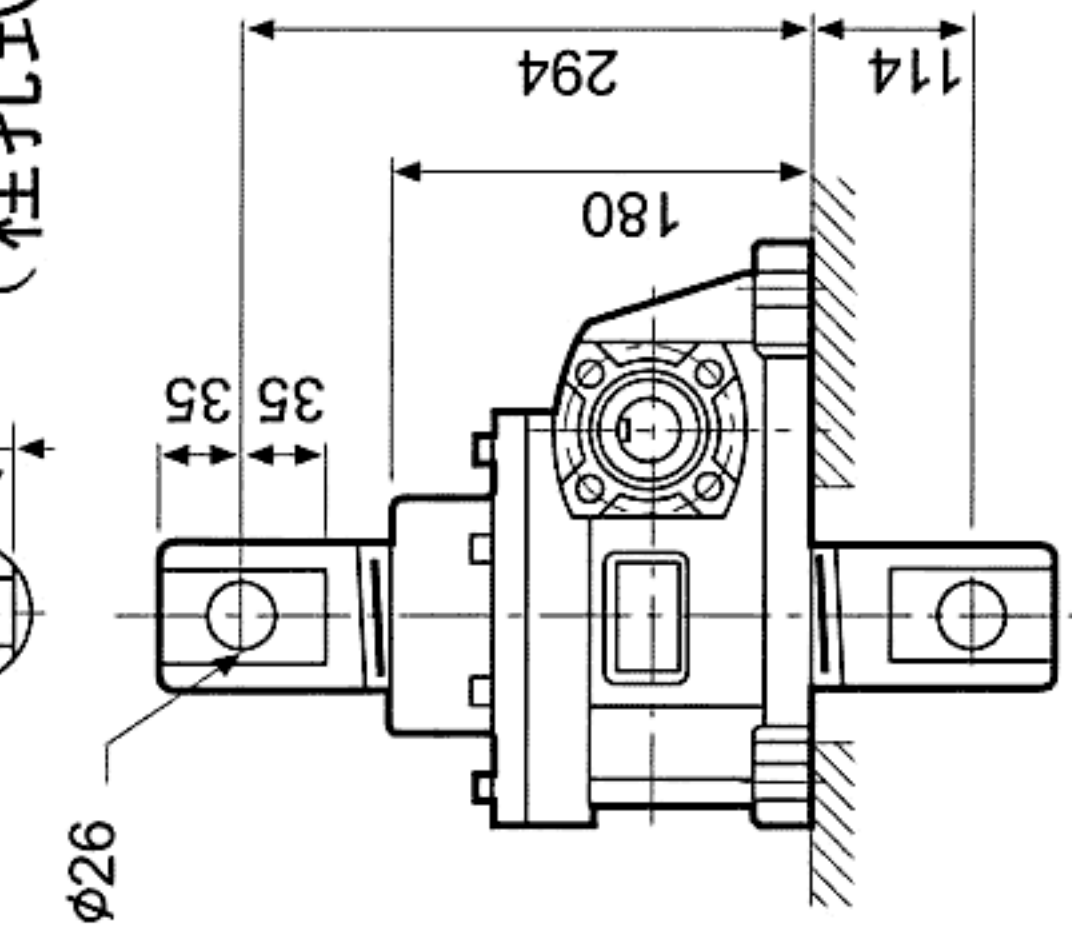
②直联式 Coupling input  
单入右侧 Right flange



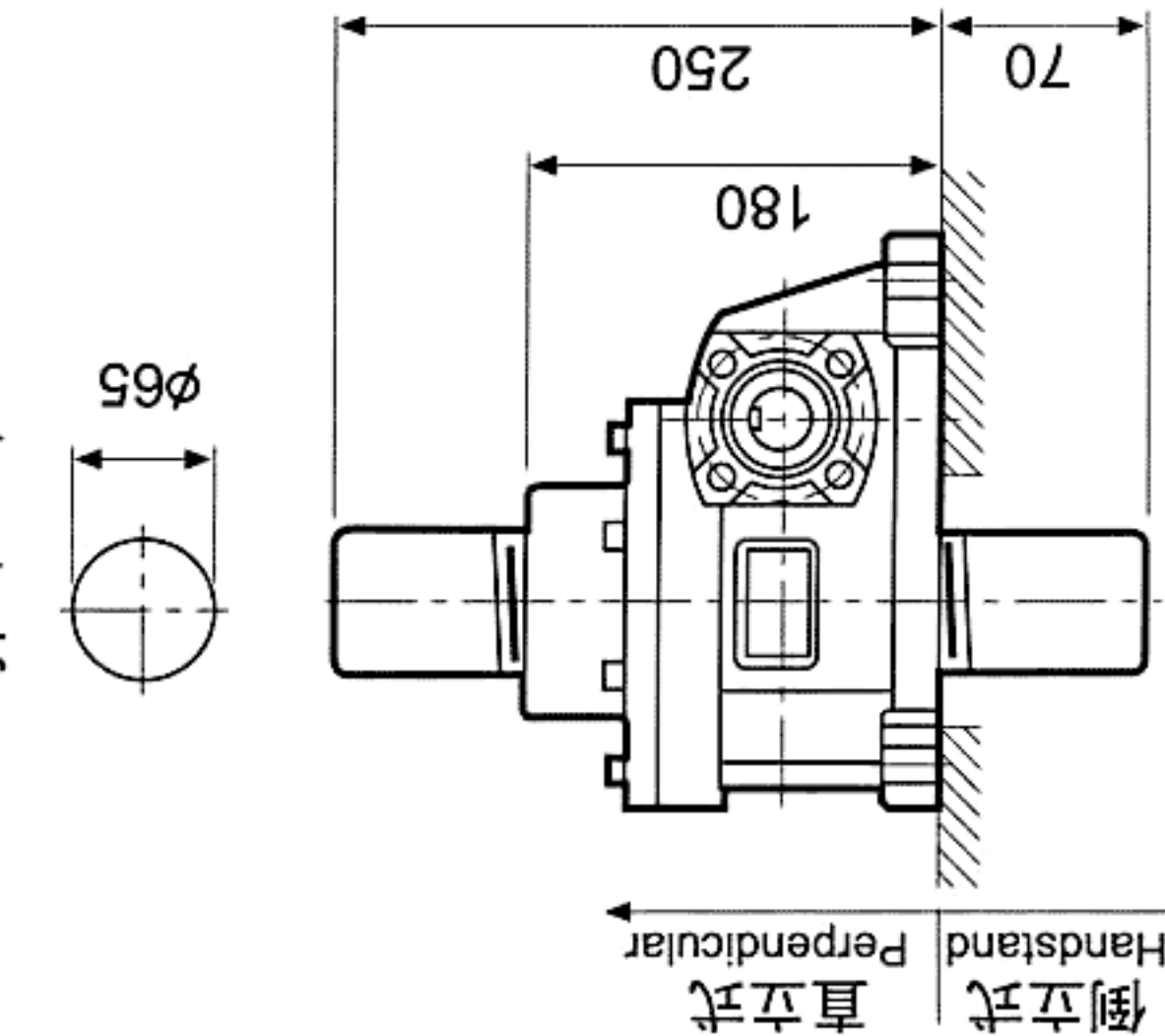
S型 (牙口式)  
S type (Face tooth)  
M42 x 2



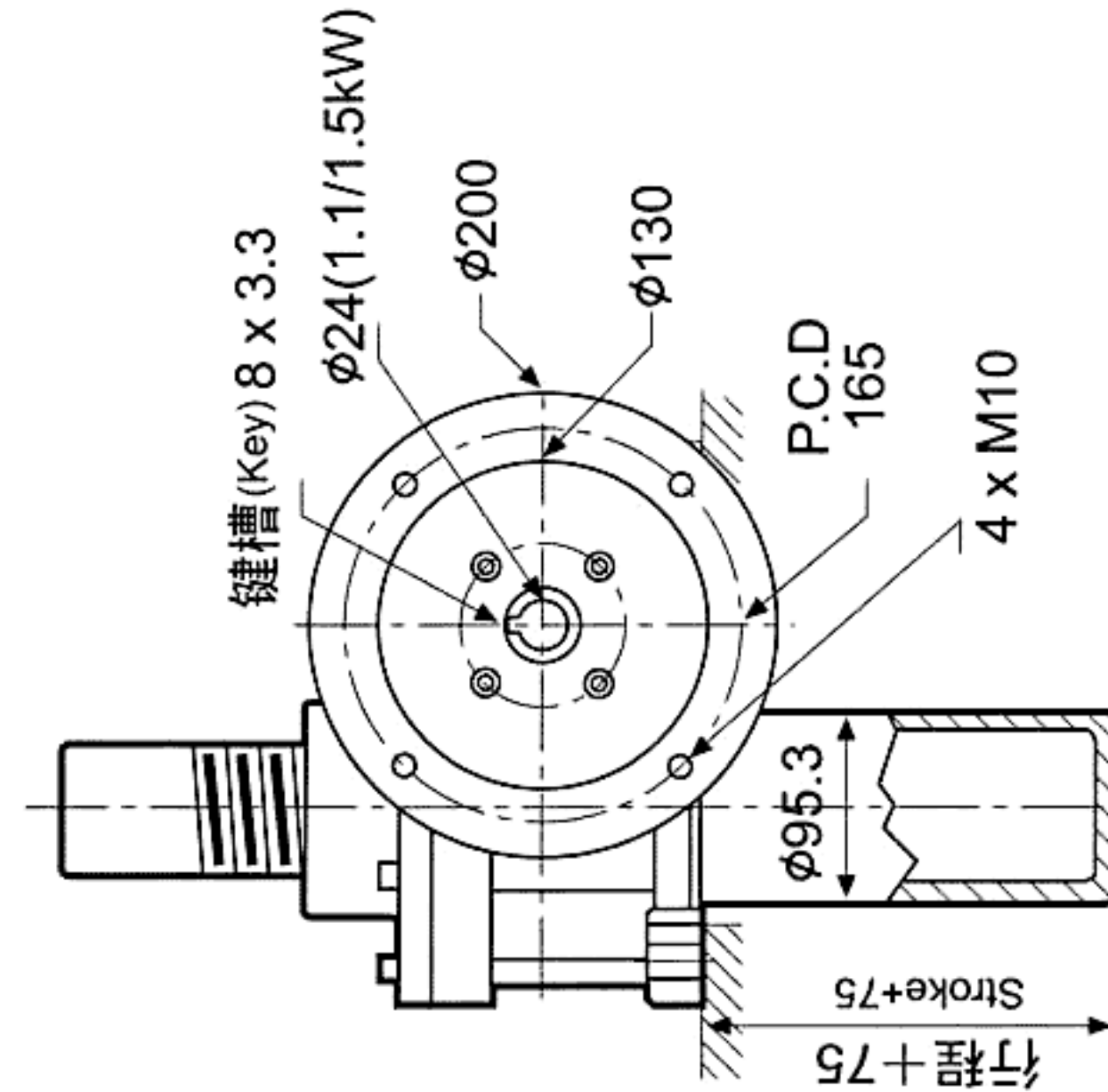
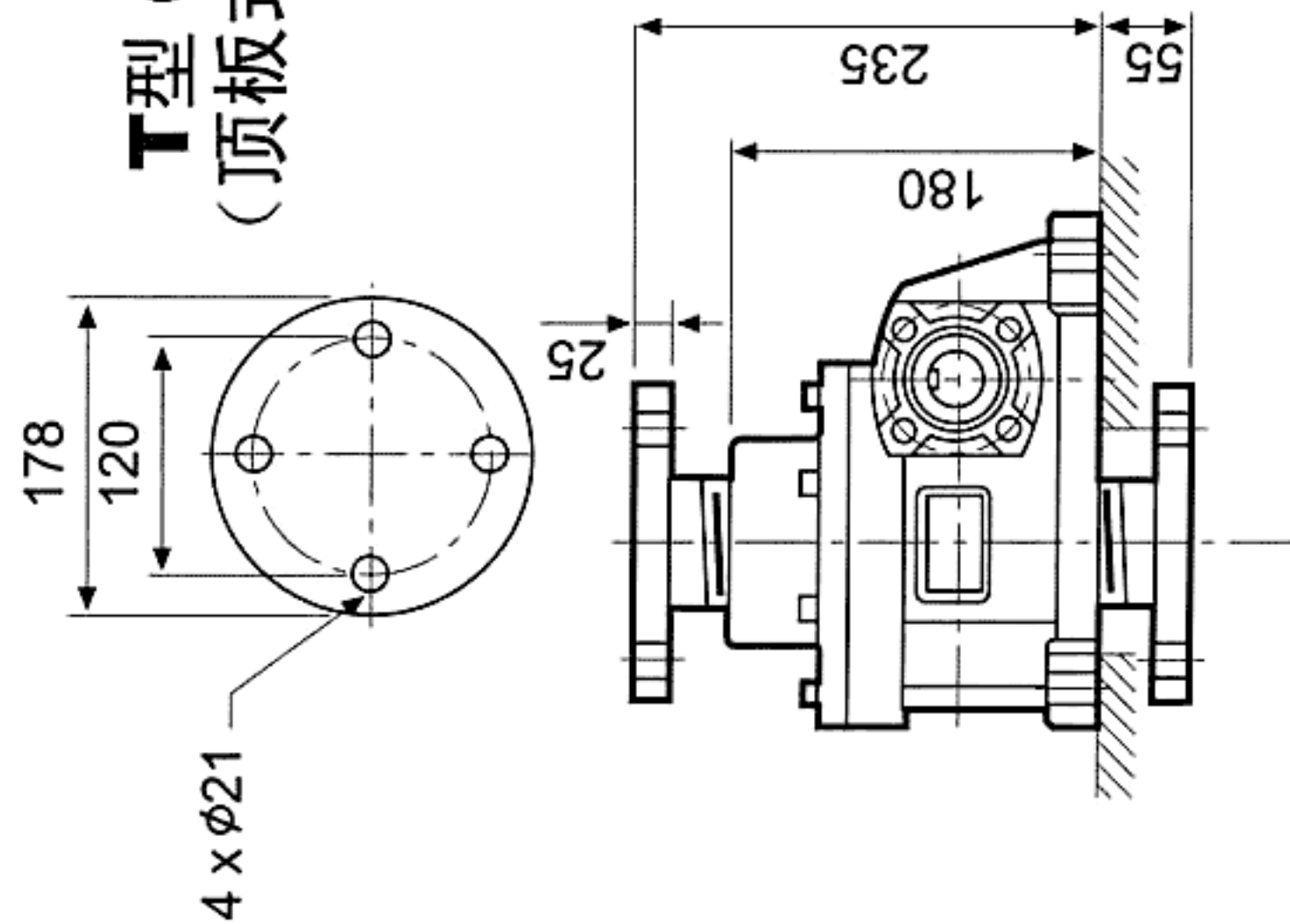
H型 (H type)  
(栓孔式 Keyhole)



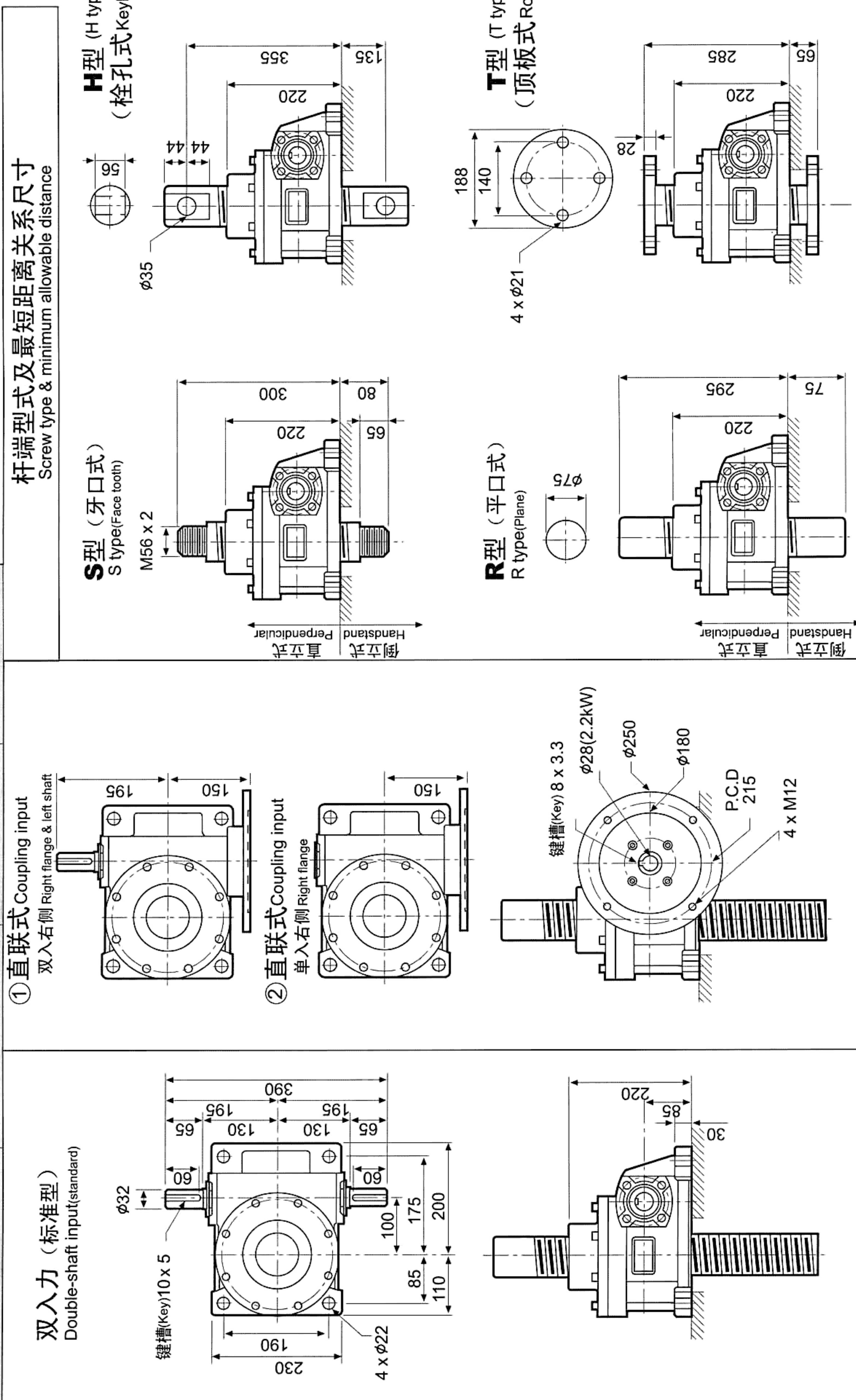
R型 (平口式)  
R type (Plane)



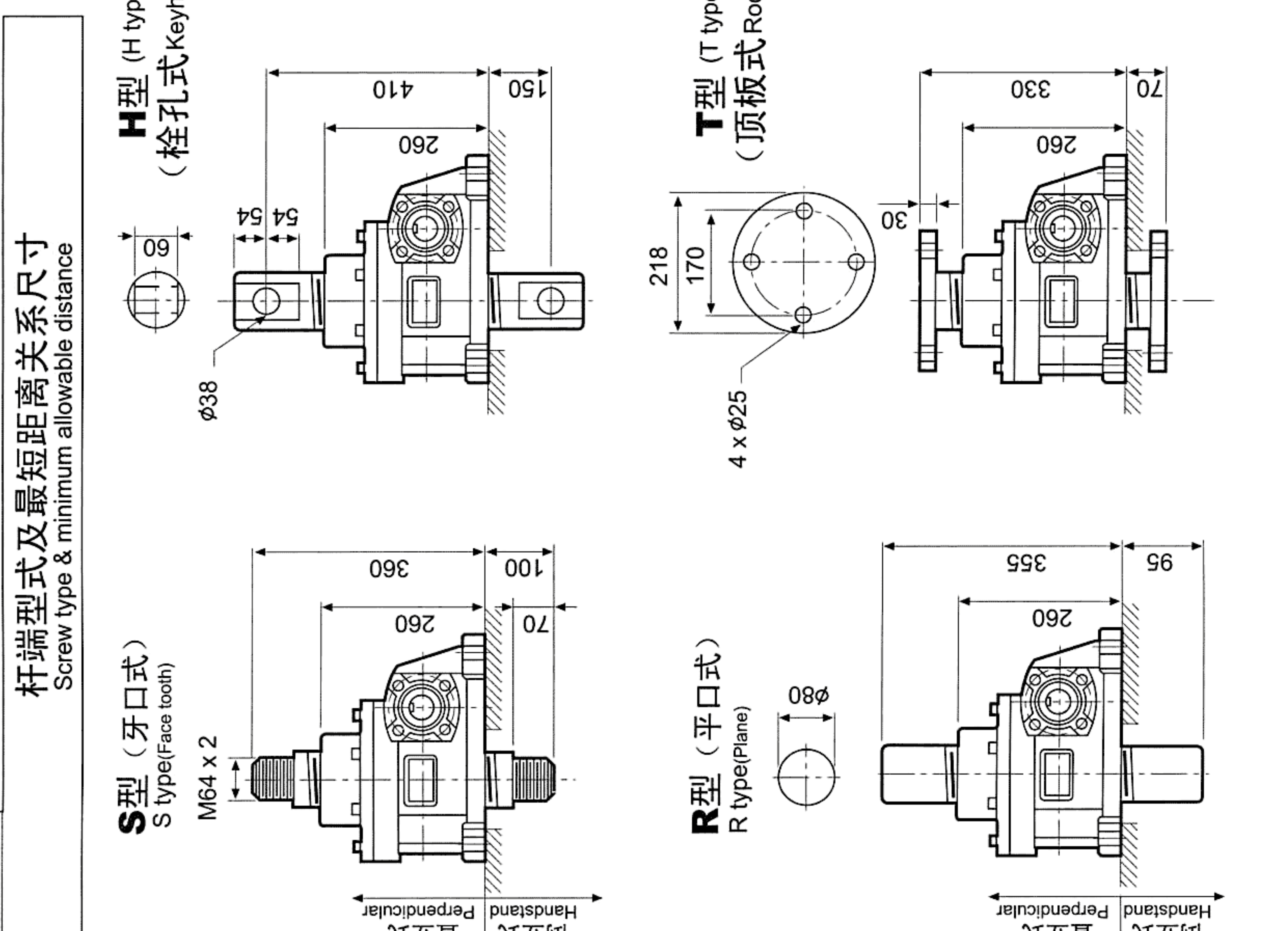
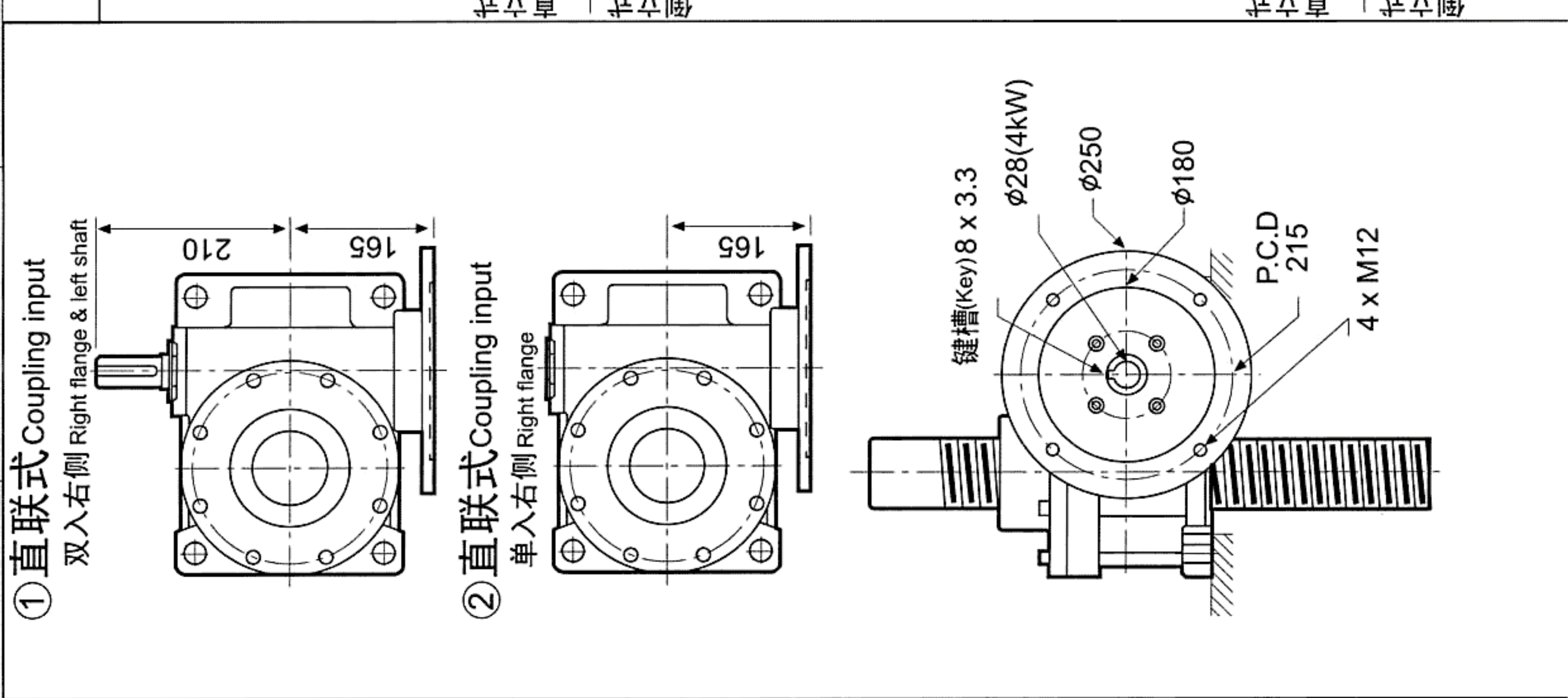
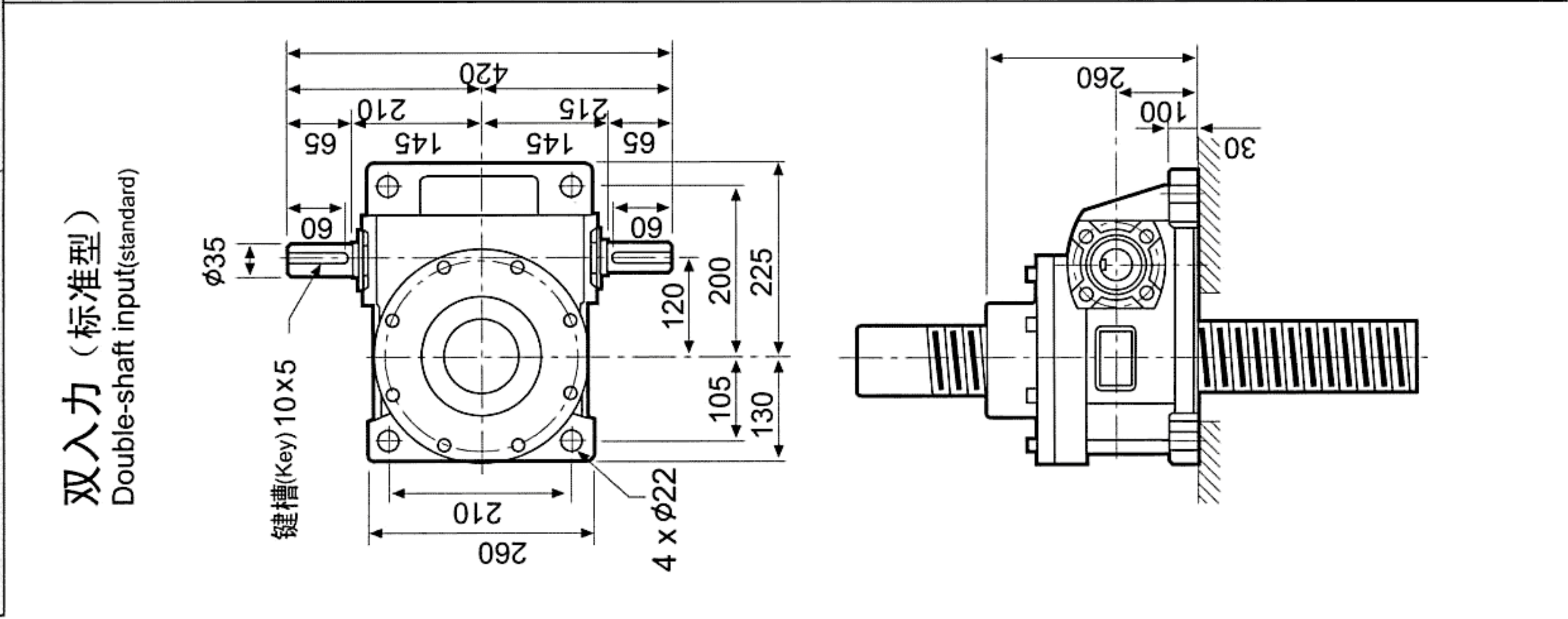
T型 (T type)  
(顶板式 Roof)



型号 Type	WSH-30T	减速比 Ratio	1/12 1/18 1/36	螺杆直径 Screw diameter	φ75h9	螺杆螺距 Distance screw-eye	P=12
------------	---------	--------------	----------------	------------------------	-------	----------------------------	------



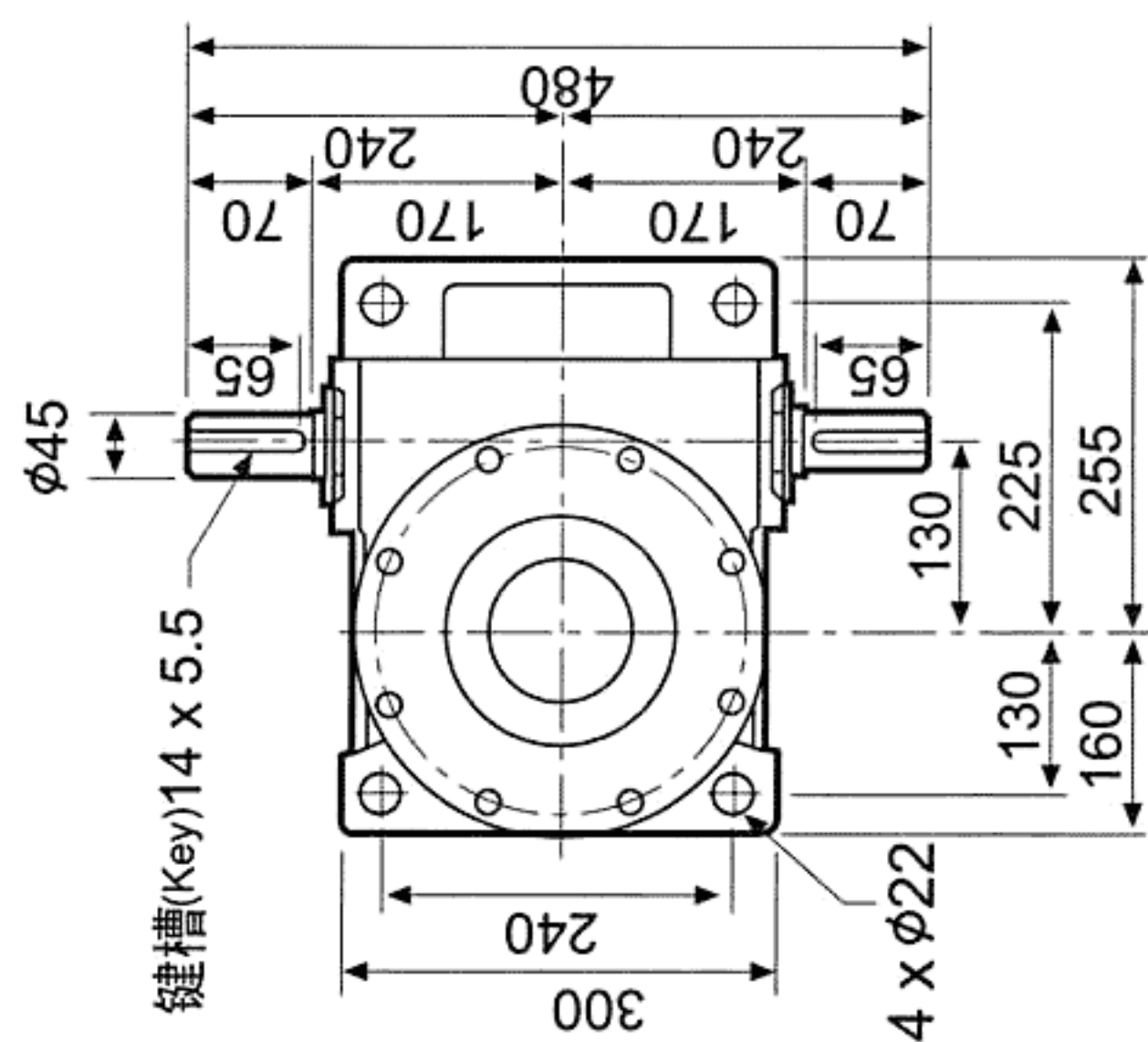
型号 Type	WSH-40T	减速比 Ratio	1/12 1/18 1/36	螺杆直径 Screw diameter	φ80h9	螺杆螺距 Distance screw-eye	P=12
------------	---------	--------------	----------------	------------------------	-------	----------------------------	------



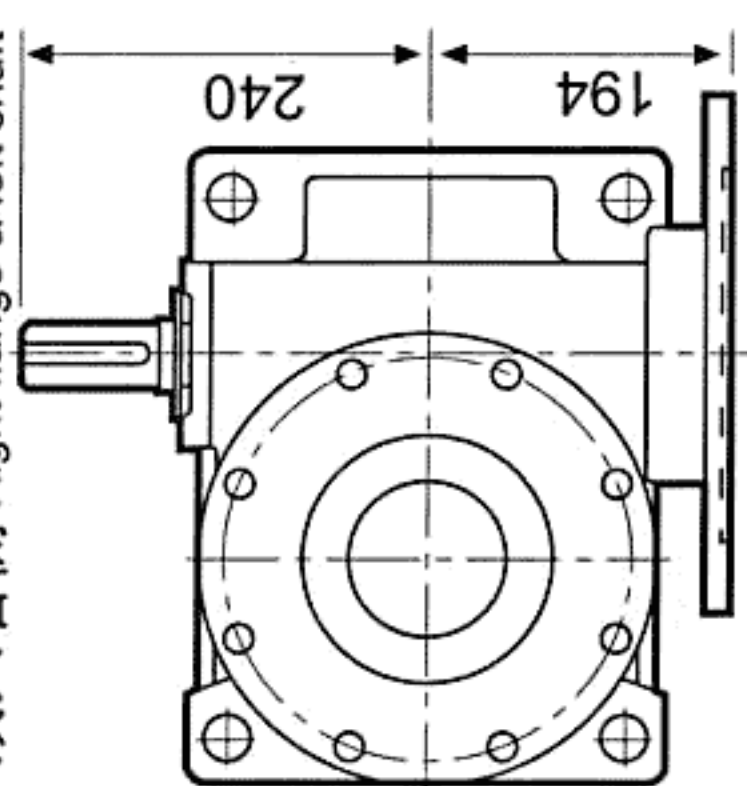
型号 Type	WSH-50T	减速比 Ratio	1/7 1/14 1/28	螺杆直径 Screw diameter	φ90 h9	螺杆螺距 Distance screw-eye	P=14
------------	---------	--------------	---------------	------------------------	--------	----------------------------	------

杆端型式及最短距离关系尺寸  
Screw type & minimum allowable distance

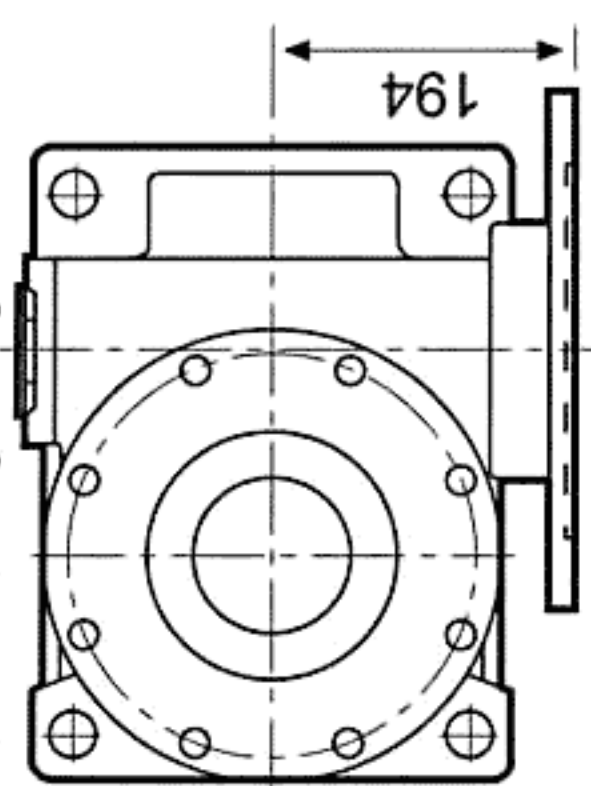
双入力 (标准型)  
Double-shaft input(standard)



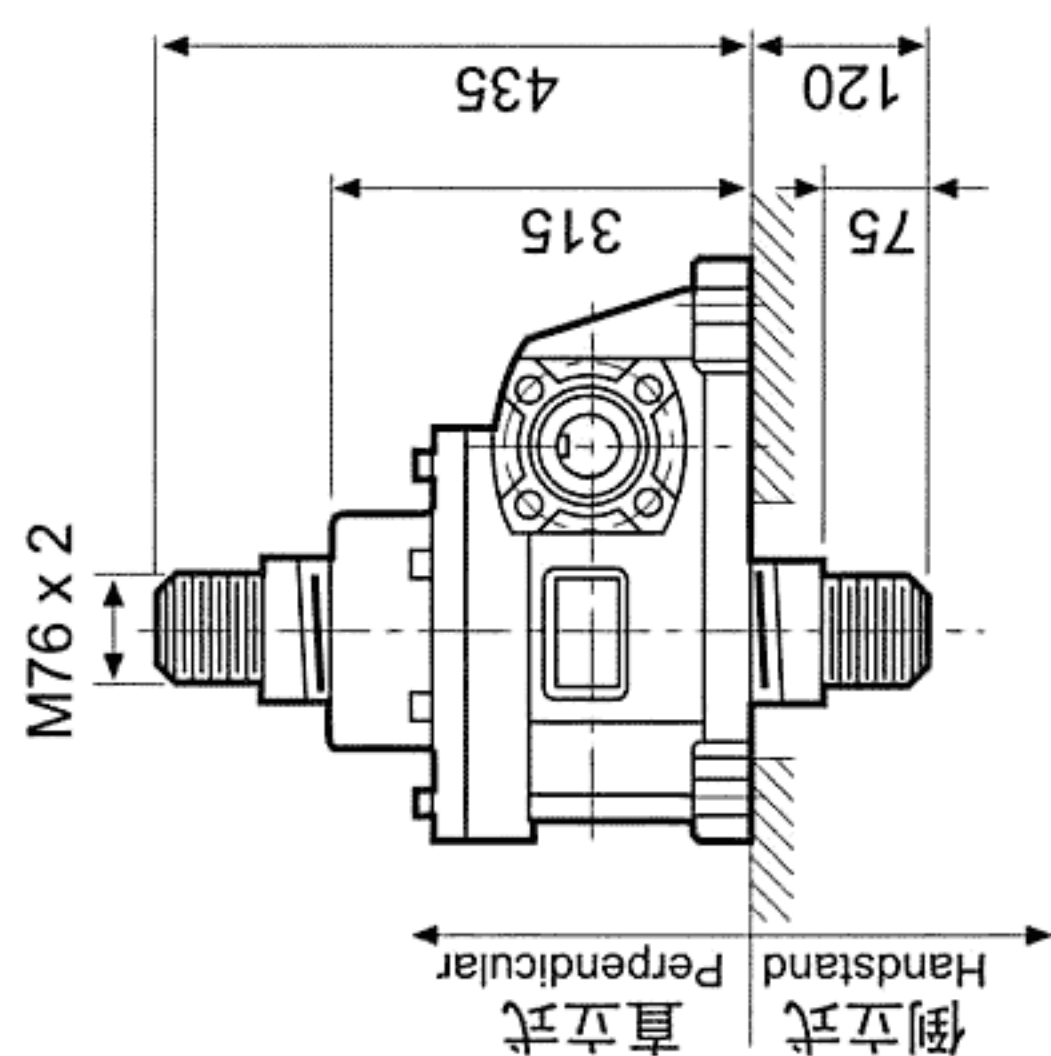
①直联式 Coupling input  
双入右侧 Right flange & left shaft



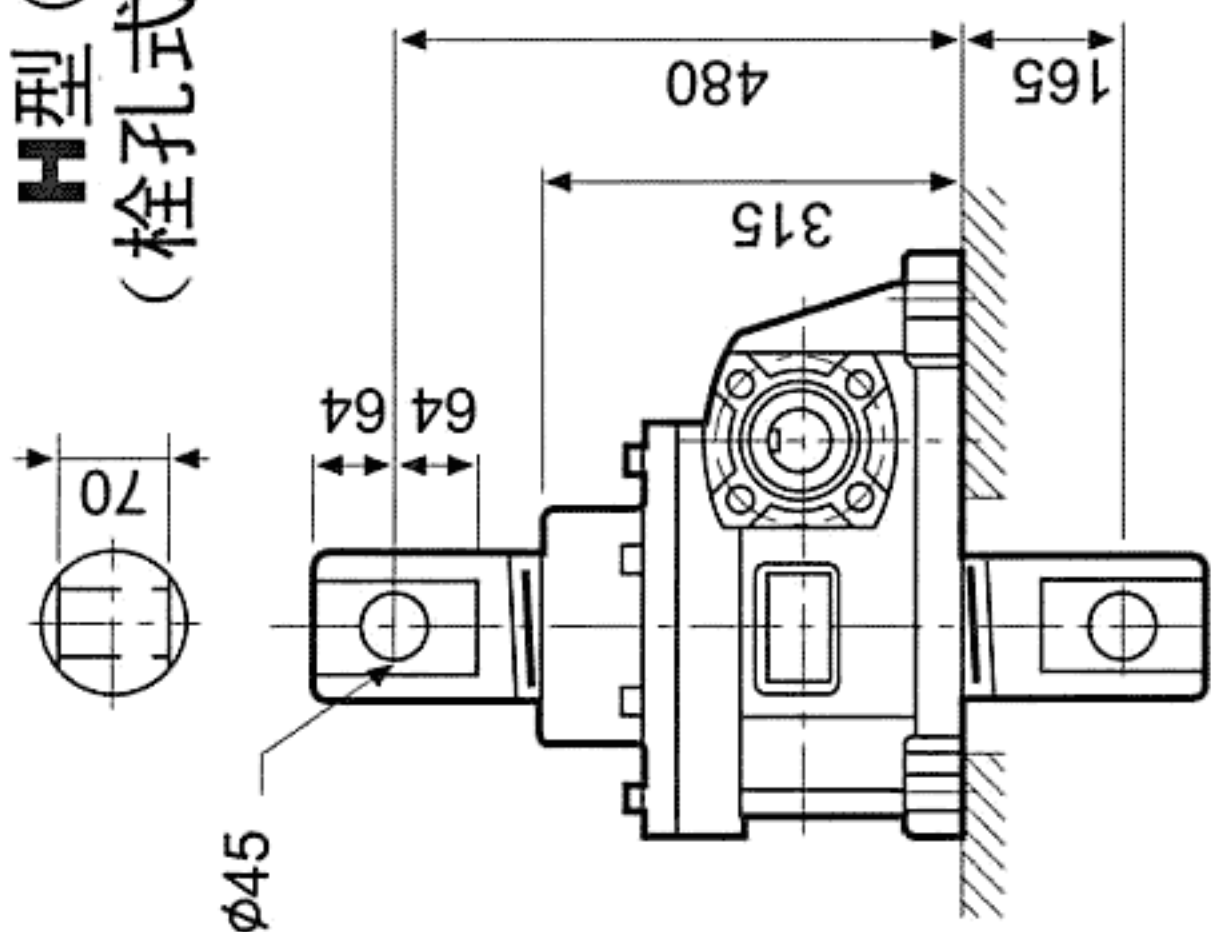
②直联式 Coupling input  
单入右侧 Right flange



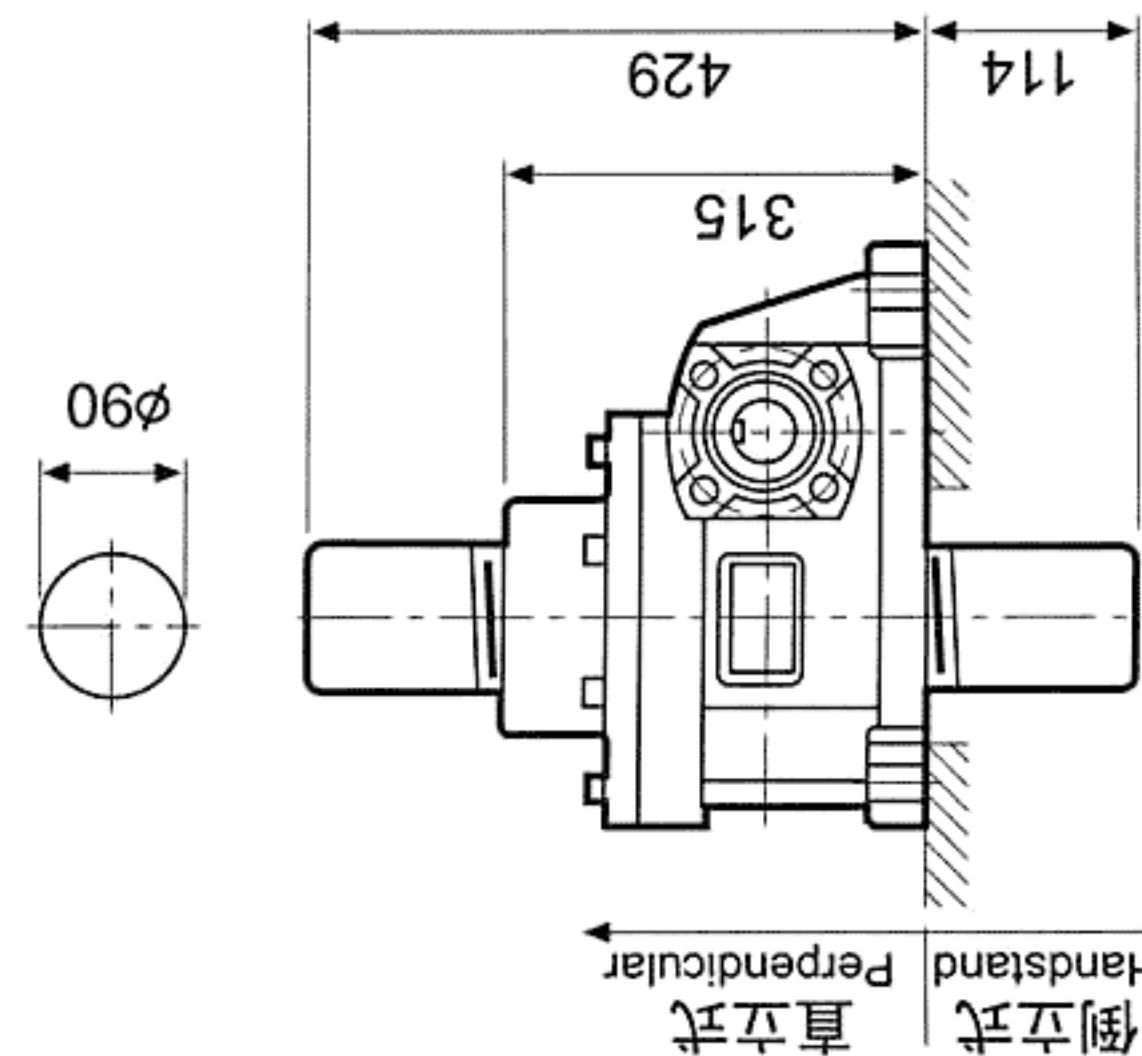
S型 (牙口式)  
S type (Face tooth)



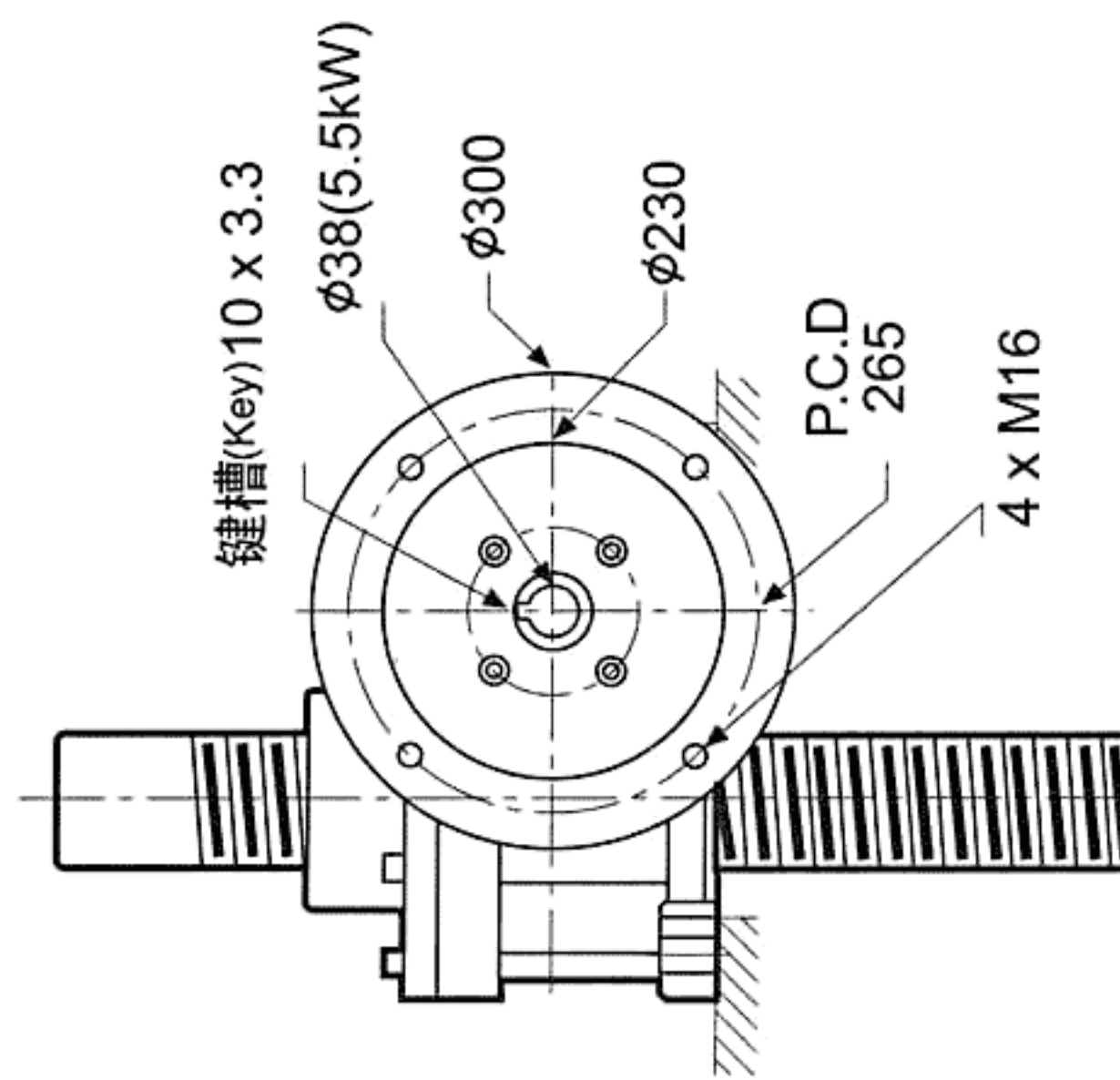
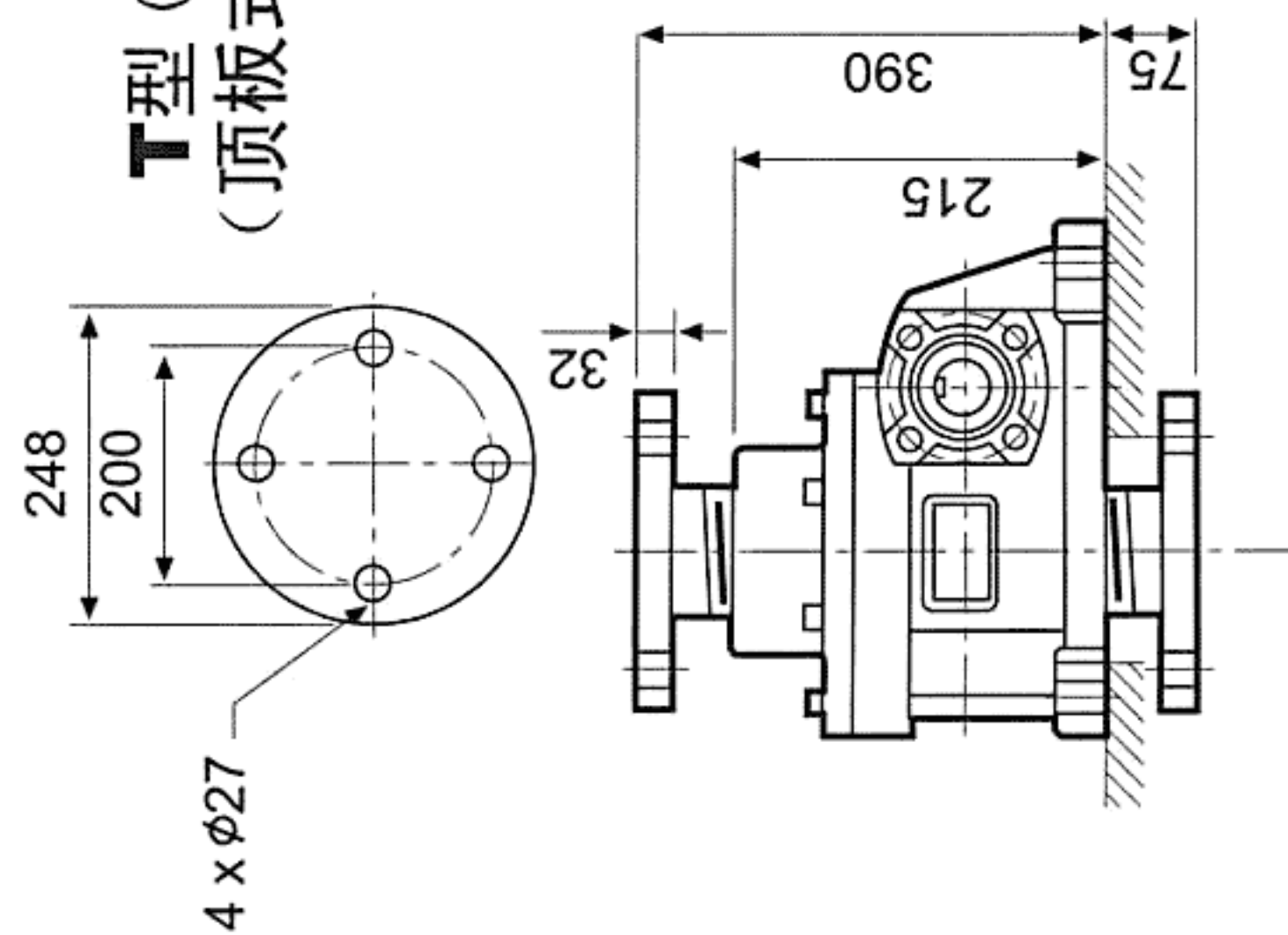
H型 (H type)  
(栓孔式 Keyhole)



R型 (平口式)  
R type (Plane)

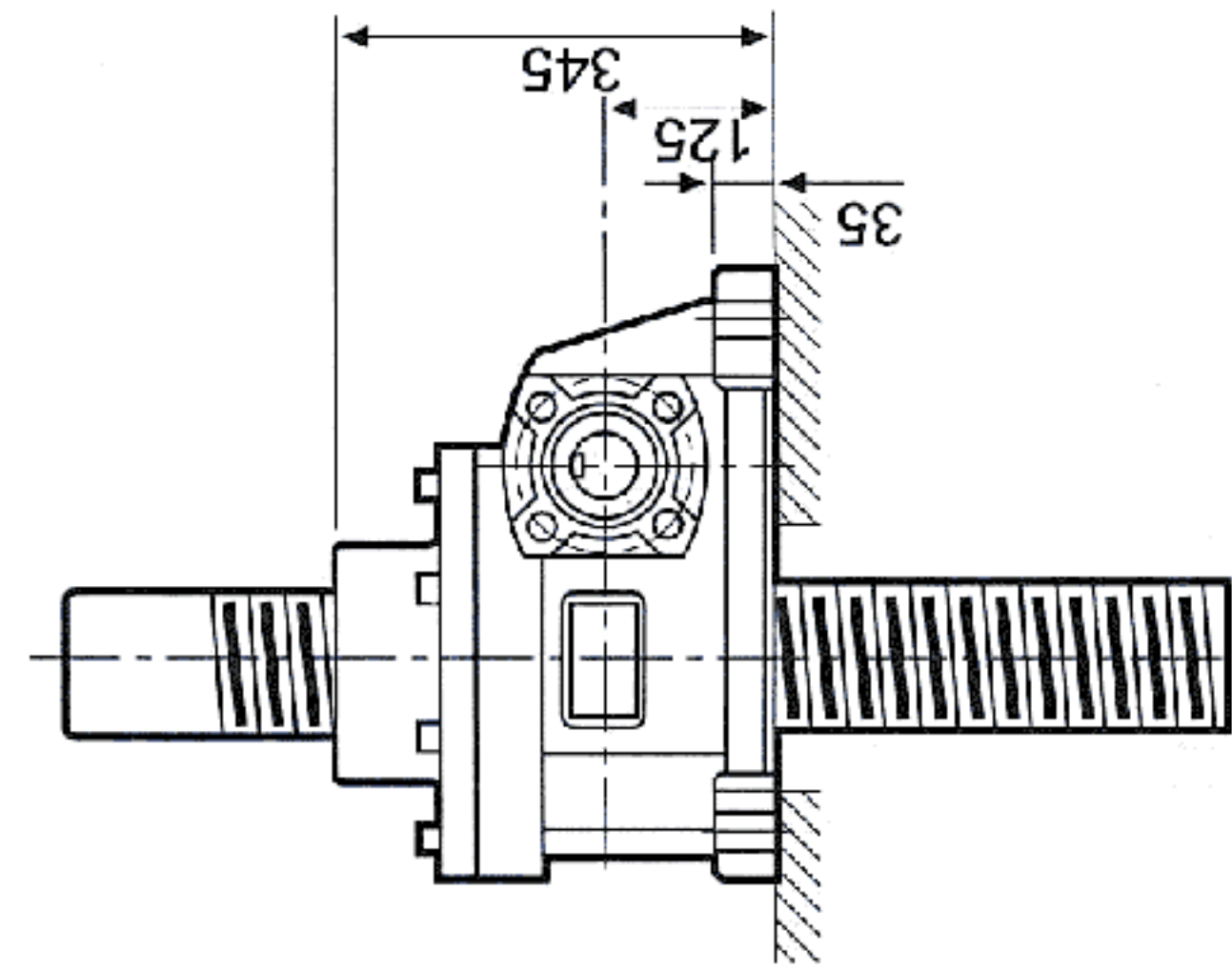
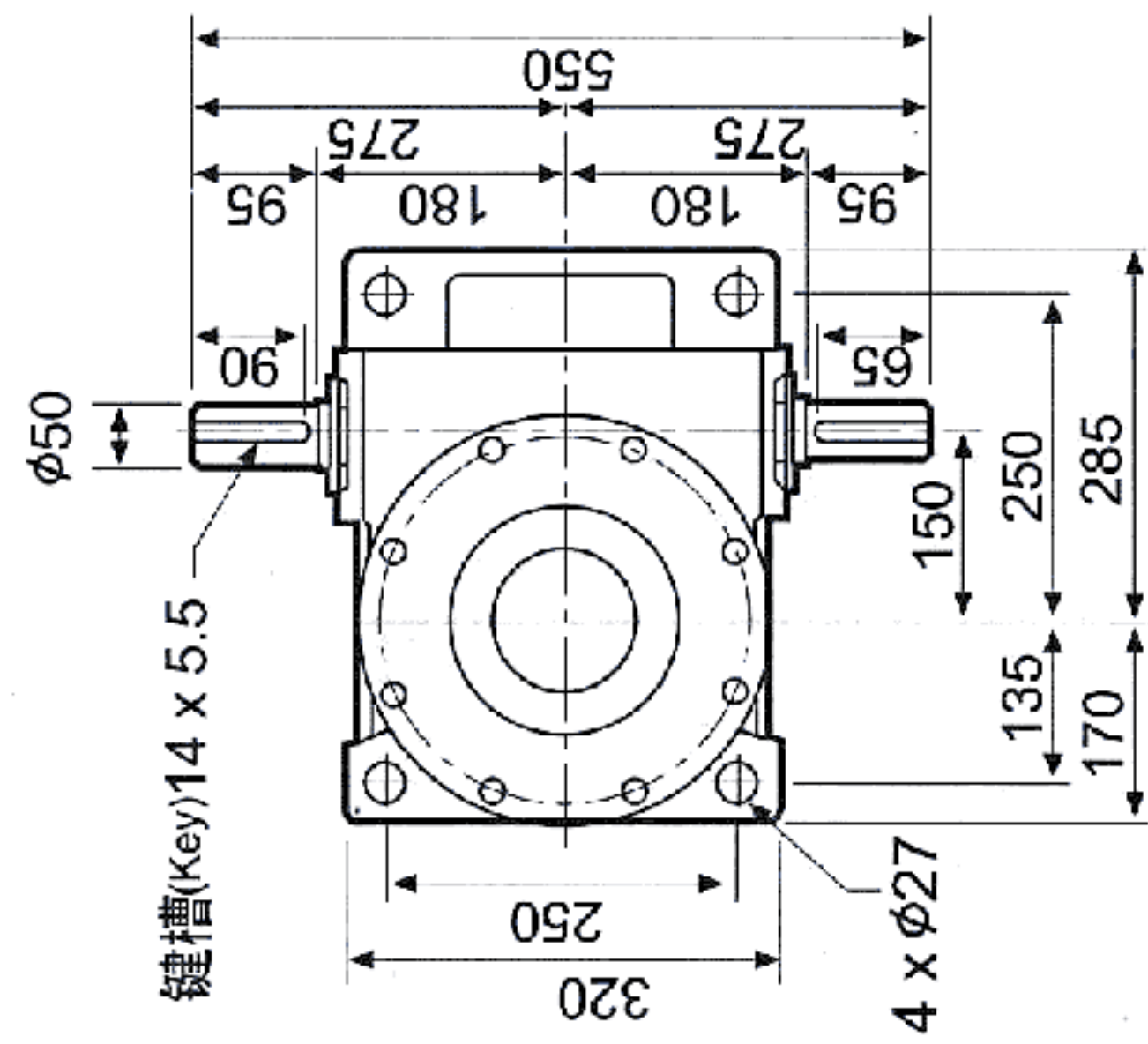


T型 (T type)  
(顶板式 Roof)



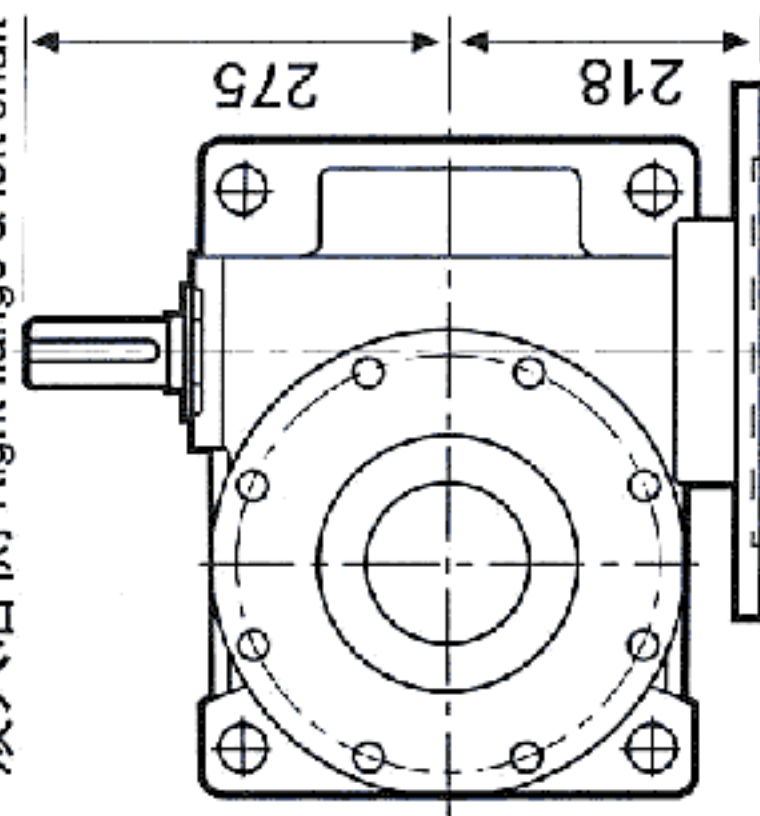
型号 Type	WSH-100T	减速比 Ratio	1/8 1/16 1/32	螺杆直径 Screw diameter	φ100 h9	螺杆螺距 Distance screw-eye	P=16
------------	----------	--------------	---------------	------------------------	---------	----------------------------	------

双入力 (标准型)  
Double-shaft input(standard)



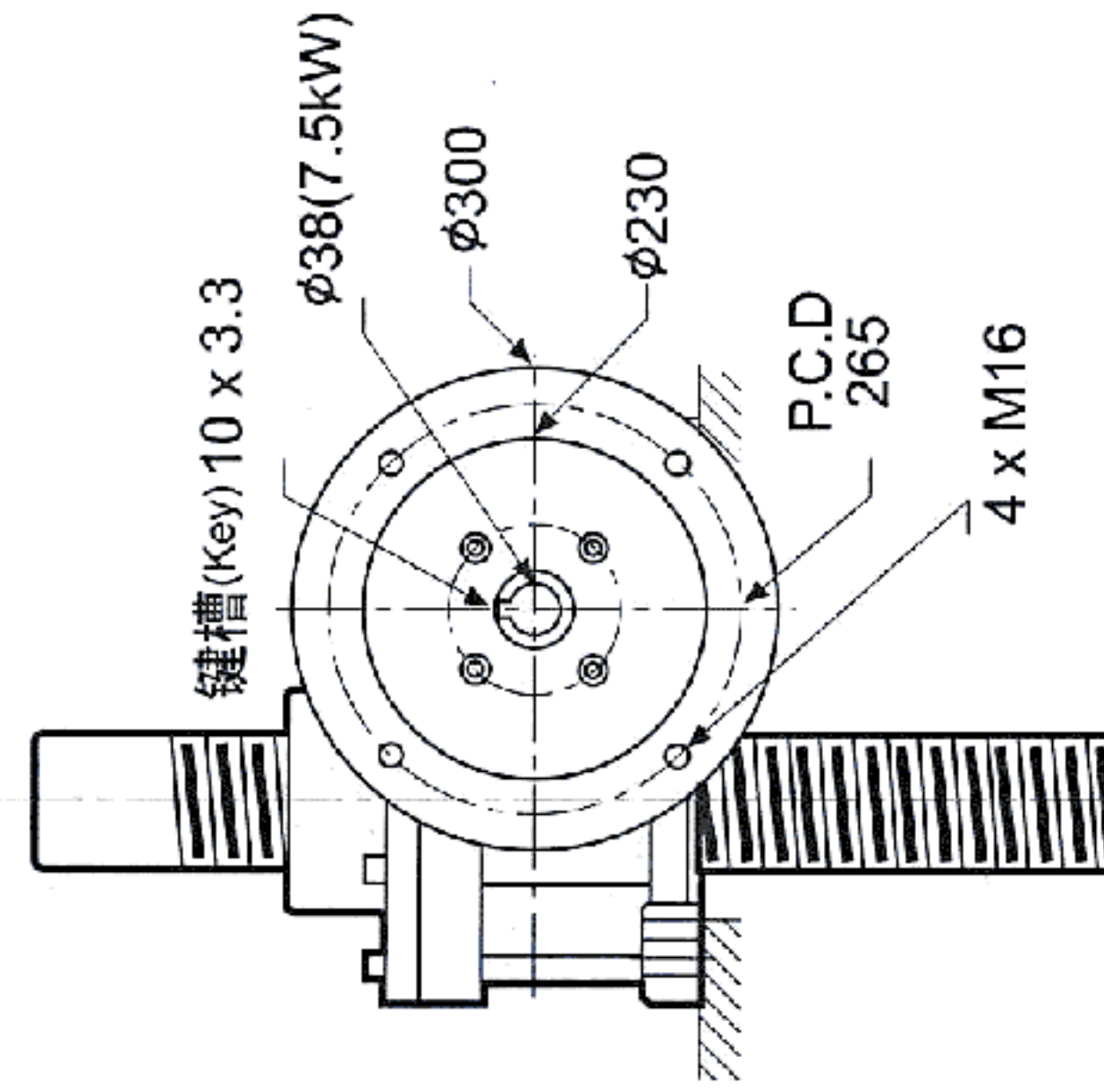
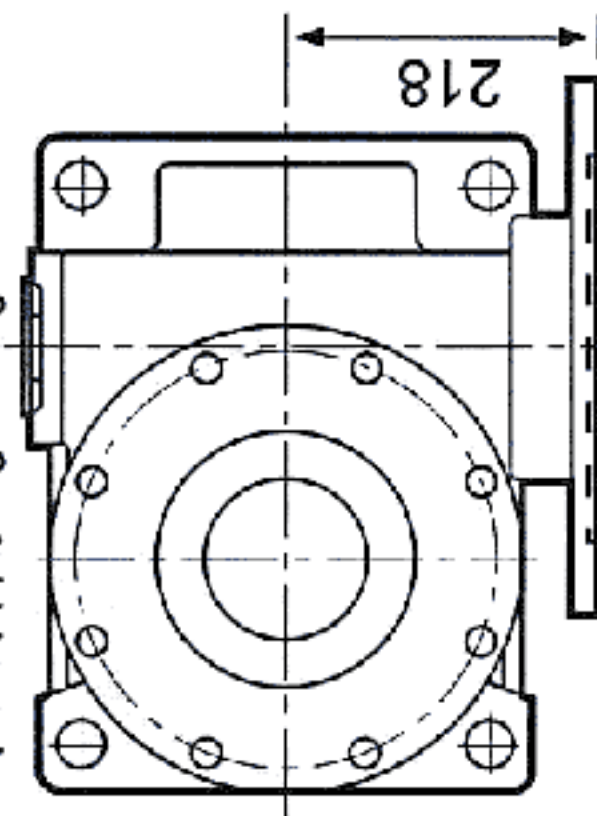
①直联式 Coupling input

双入右侧 Right flange & left shaft



②直联式 Coupling input

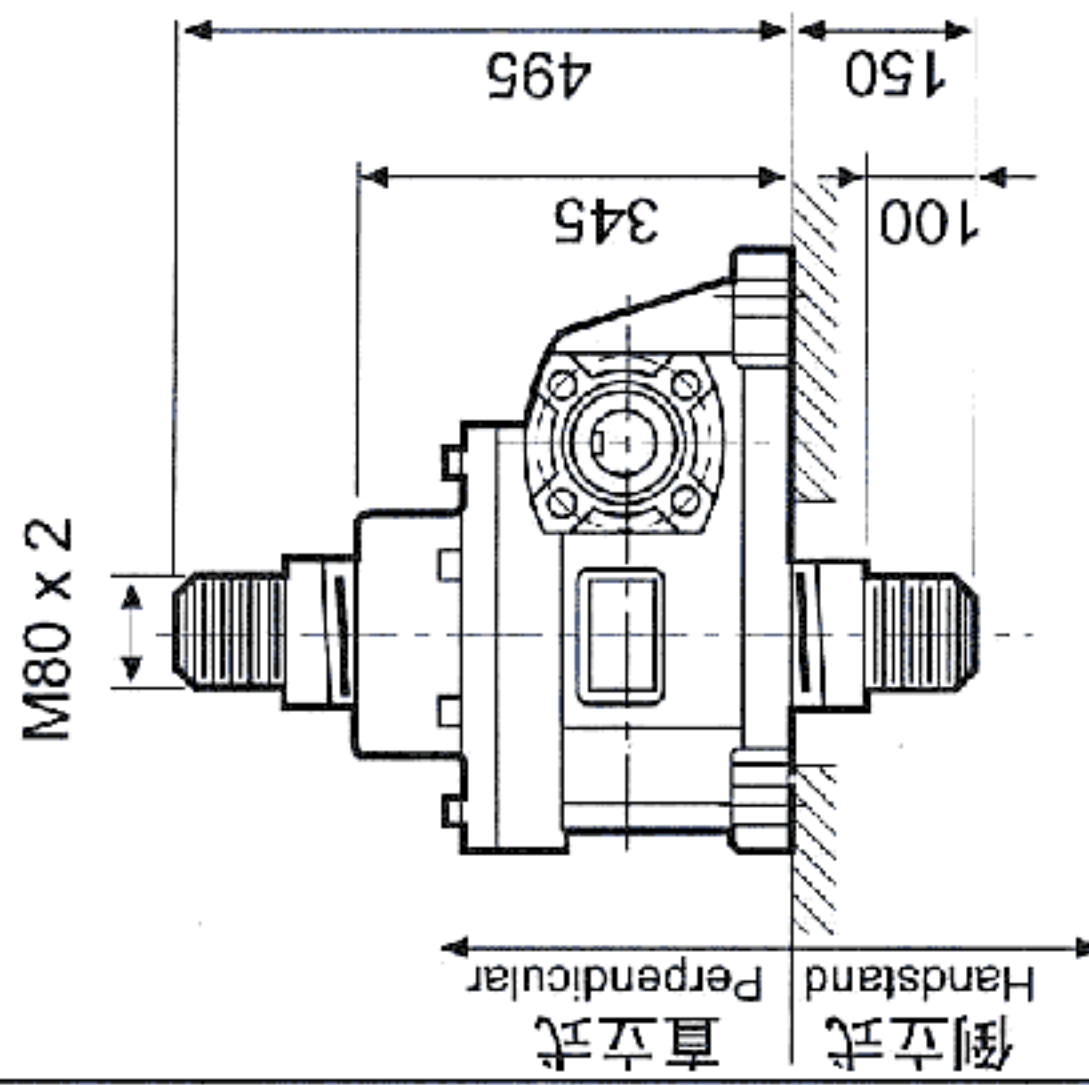
单入右侧 Right flange



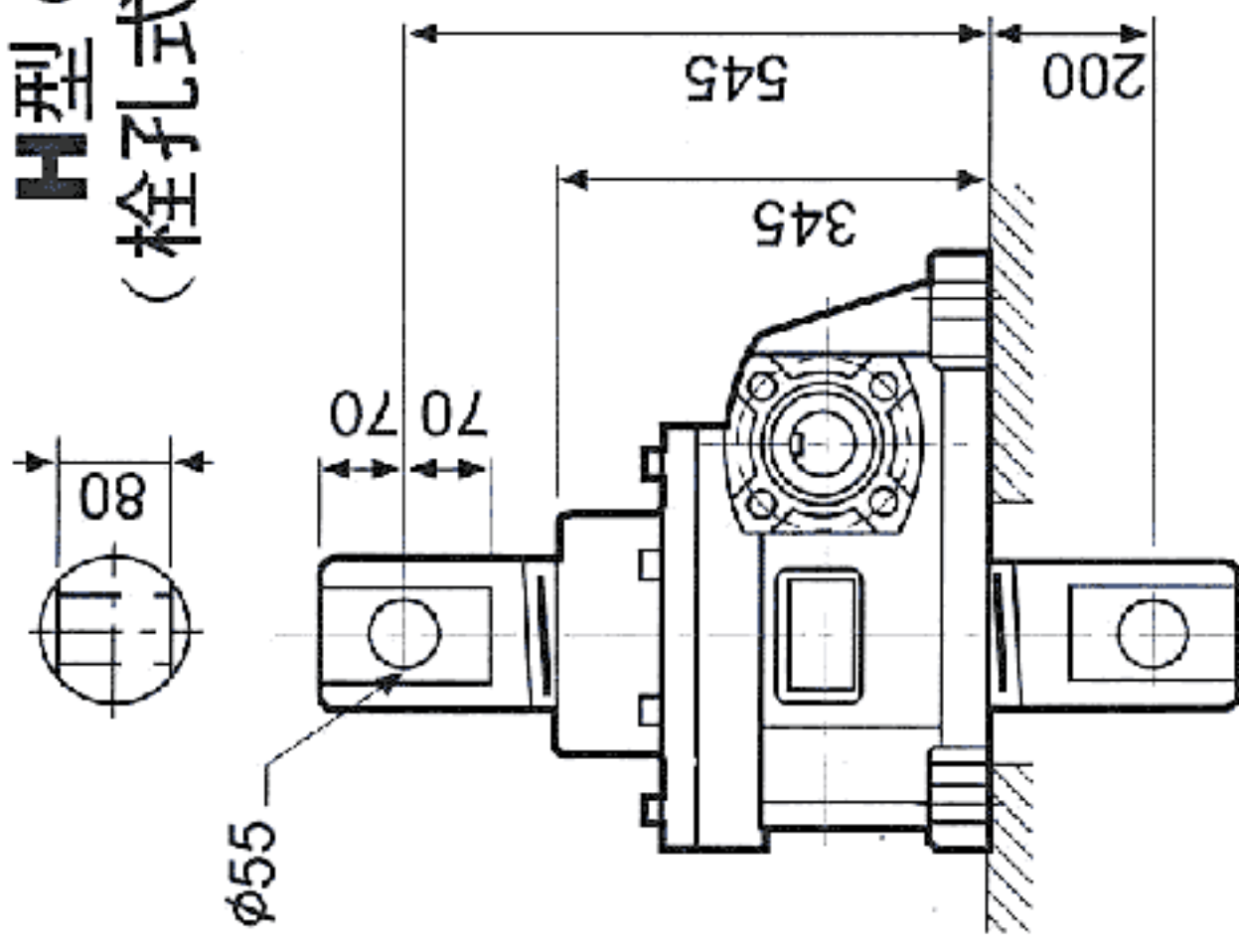
杆端型式及最短距离关系尺寸  
Screw type & minimum allowable distance

S型 (牙口式)  
S type (Face tooth)

M80 x 2

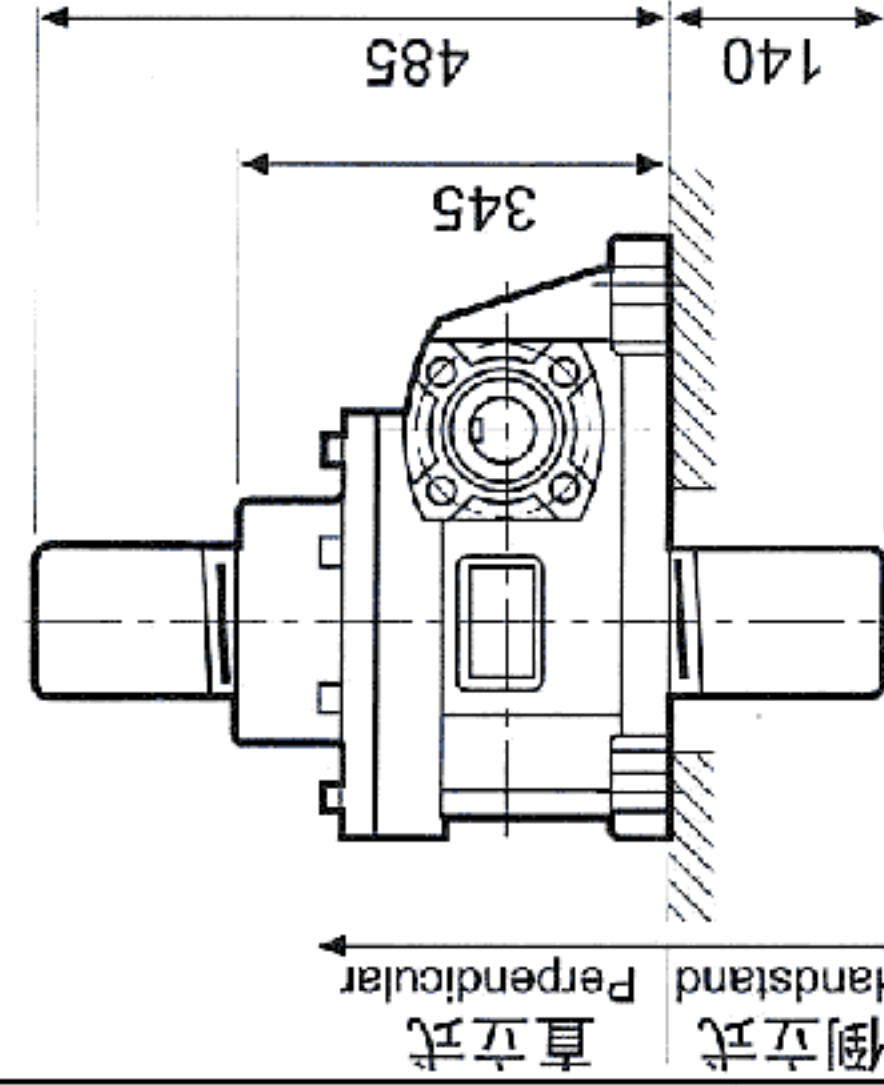


H型 (H type)  
(栓孔式 Keyhole)



R型 (平口式)  
R type (Plane)

φ100



T型 (顶板式)  
T type (顶板式 Roof)

